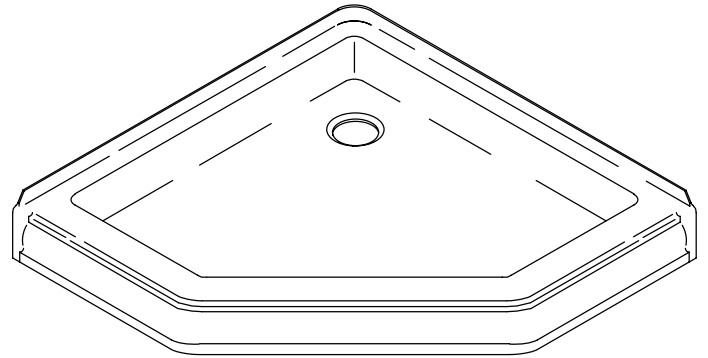


NEO-ANGLE SHOWER RECEPTOR

K-9542

FEATURES

- 42" x 42"
- Acrylic
- Reinforced with fiberglass
- Molded-in floor pattern



CODES/STANDARDS APPLICABLE

Specified model meets or exceeds the following:

- ANSI Z124.2
- IAPMO/UPC
- Canadian Standards Association (CSA)
- State of Massachusetts

COLORS/FINISHES

- 0 White
- Other Refer to Fixtures Price Book for additional colors

Accessories:

- CP Polished Chrome
- PB Polished Brass
- SH Bright Silver
- BH Bright Brass

SPECIFIED MODEL:

Model	Description	Colors/Finishes		
K-9542	Neo-angle shower receptor	<input type="checkbox"/> 0 White	<input type="checkbox"/> Other_____	
Recommended Accessories				
K-9132	Drain	<input type="checkbox"/> CP	<input type="checkbox"/> PB	<input type="checkbox"/> Other_____
Optional Accessories				
K-701637	Focal neo-angle shower enclosure*	<input type="checkbox"/> SH	<input type="checkbox"/> BH	<input type="checkbox"/> 0-White
* Refer to Fixtures Price Book for glass options.				

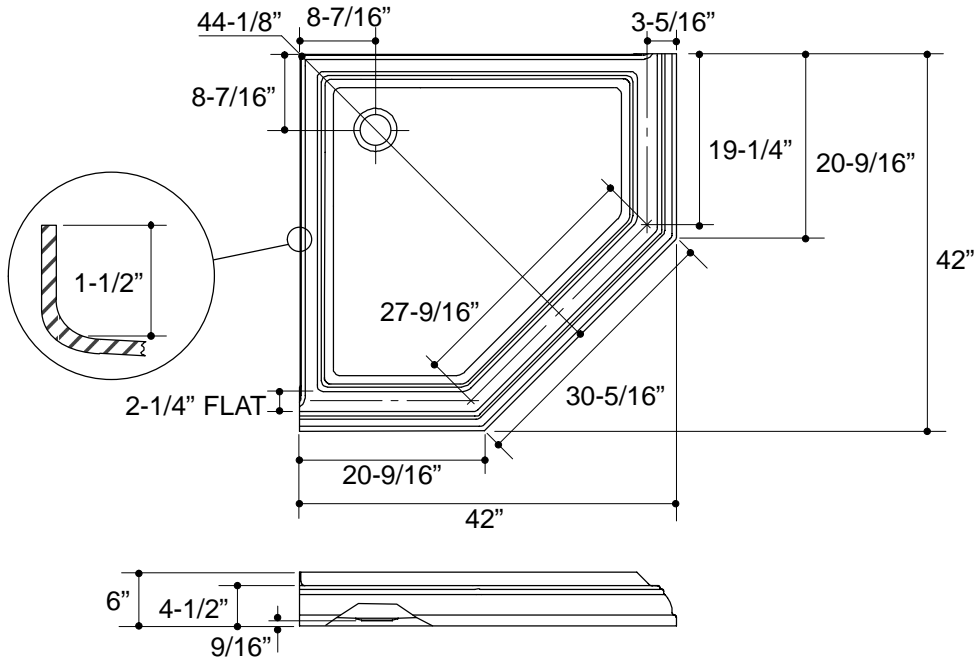
PRODUCT SPECIFICATION:

The neo-angle shower receptor shall be 42" in length and 42" in width. Shower receptor shall be made of acrylic reinforced with fiberglass. Shower receptor shall have molded-in floor pattern. Shower receptor shall be Kohler Model K-9542-_____.

MEMOIRS®

PRODUCT INFORMATION

Fixture:	
Weight	35 lbs.
Configuration	1-piece
Drain Outlet	3-3/8" D.



364

PRODUCT DIAGRAM