

Features

- 29-5/16" x 18-15/16" x 28-13/16"
- Large 3-1/4" canister flush valve features a powerful jet action, providing rapid water delivery from tank to bowl.
- High-efficiency system offers bulk flushing performance and best-in-class cleanliness
- Significant water savings of as much as 16,500 gallons of water annually over a 3.5 gallon toilet
- Meets strict flushing performance guidelines established by the EPA's WaterSense program
- Qualifies as an HET(High-Efficiency Toilet). Consumer rebates are available in some municipalities
- This product can help a building earn Water Efficiency points in the LEED Green Building Rating System
- 12" rough-in supply line not included
- Right-hand lever

Optional Accessories

K-4650 Toilet Seat
K-4732 Toilet Seat
K-9466-R Right-hand Trip Lever
K-1954 Touchless Toilet Flush Kit
K-4008 Toilet Seat
K-4108 Toilet Seat with Cleansing Functionality
K-4636 Toilet Seat
K-4652 Toilet Seat
K-4659 Toilet Seat
K-4684 Toilet Seat
K-4688 Toilet Seat
K-4694 Toilet Seat
K-4709 Toilet Seat with Cleansing Functionality
K-4713 Toilet Seat
K-4733 Toilet Seat
K-4737 Toilet Seat with Cleansing Functionality
K-4748 Toilet Seat
K-4774 Toilet Seat
K-4814 Toilet Seat
K-4888 Elongated Toilet Seat
K-5588 Elongated Toilet Seat
K-5638 Elongated Toilet Seat
K-7637 Angle Supply with Stop (single)
K-4712-T Toilet Seat
K-4761-BN Toilet Seat
K-4761-CP Toilet Seat
K-9470-R Right-hand Trip Lever

Components

Product includes:

K-4008 Toilet Seat

Additional included component/s: Tank cover, Trip lever, Toilet seat, Tank accessory pack, and Bolt cap accessory.



ADA CSA B651 OBC

Codes/Standards

ASME A112.19.2/CSA B45.1
EPA WaterSense®
ADA
ICC/ANSI A117.1
CSA B651
OBC




KOHLER® One-Year Limited Warranty

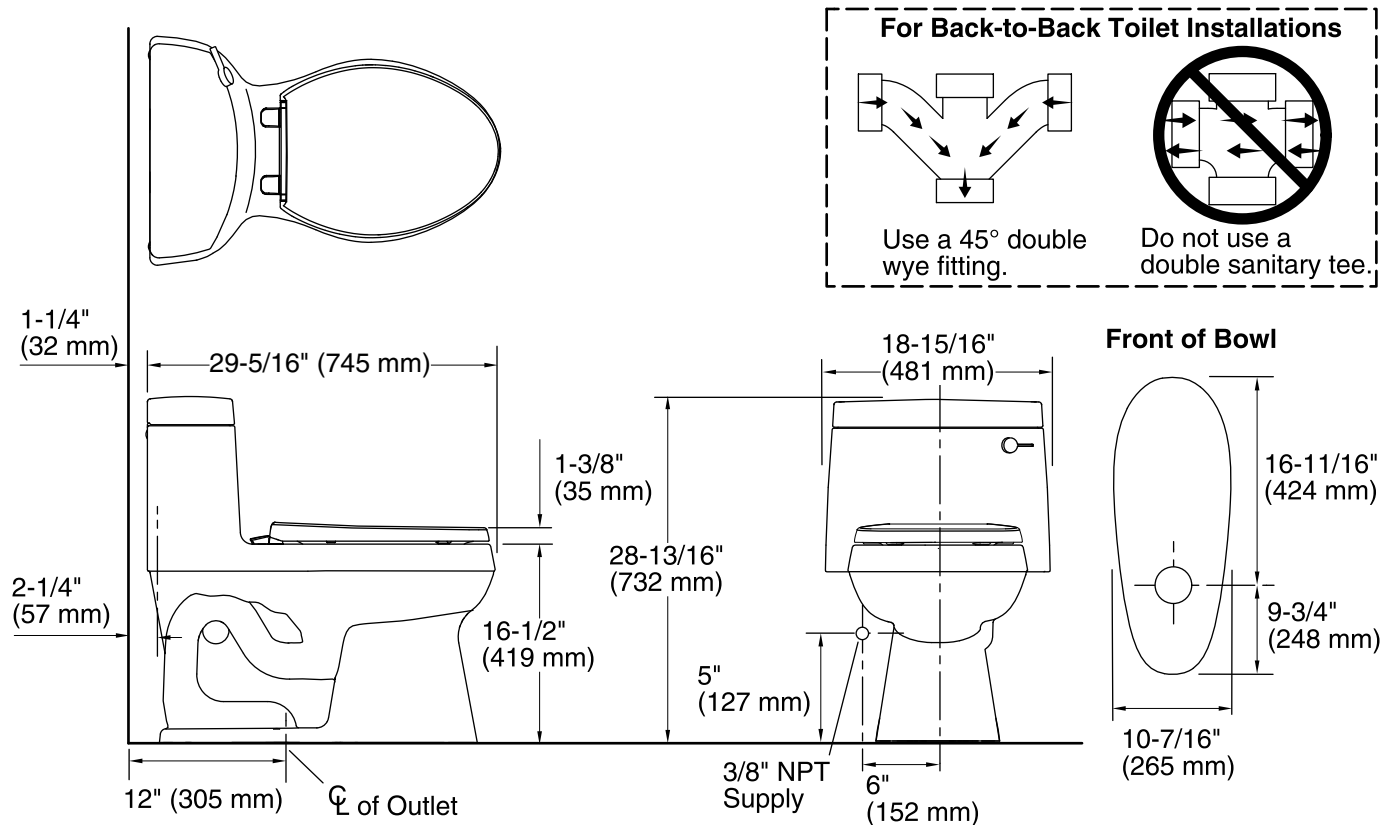
See website for detailed warranty information.

Available Color/Finishes

Color tiles intended for reference only.

Color Code Description

	0	White
	96	Biscuit
	47	Almond



Technical Information

All product dimensions are nominal.

Toilet type:	One-piece
Bowl shape:	Elongated front
Flush type:	Other
Seat hinge type:	Quick-Attach®, Quiet-Close™, Quick-Release™
Trap passageway:	2-1/8" (54 mm)
Water Consumption	
Full:	1.28 gpf (4.8 lpf)
Water surface size:	11-3/4" x 8" (298 mm x 203 mm)
Rim to water surface:	6-1/8" (156 mm)
Rough-in:	12" (305 mm)
Seat-mounting holes:	5-1/2" (140 mm)

Notes

Install this product according to the installation instructions.

For back-to-back toilet installations: Use only a 45° double wye fitting.

The Model Plumbing Codes require the installation of elongated open-front toilet seats in public bathrooms.

ADA, OBC, CSA B651 compliant when installed to the specific requirements of these regulations.

Plumbing Codes require elongated toilets and elongated, open-front toilet seats in public bathrooms.

Accessibility standards require controls to be located on the open side of the toilet.