

Features

- Integral flange.
- Right drain.
- Integral lumbar support.
- Integral apron.
- 66" (1676 mm) x 32" (813 mm) x 17" (432 mm)

Material

- Cast iron with Safeguard® finish.

Installation

- Alcove

Recommended Accessories

K-37380 30" Rough-in Cable Bath Drain

K-37383 30" Rough-in Cable Bath Drain

K-37386 30" Rough-in Cable Bath Drain



ADA

Codes/Standards

ASME A112.19.1/CSA B45.2

ASTM F462

ASTM F462

ADA

ICC/ANSI A117.1






KOHLER® Lifetime Limited Warranty for Cast Iron Components

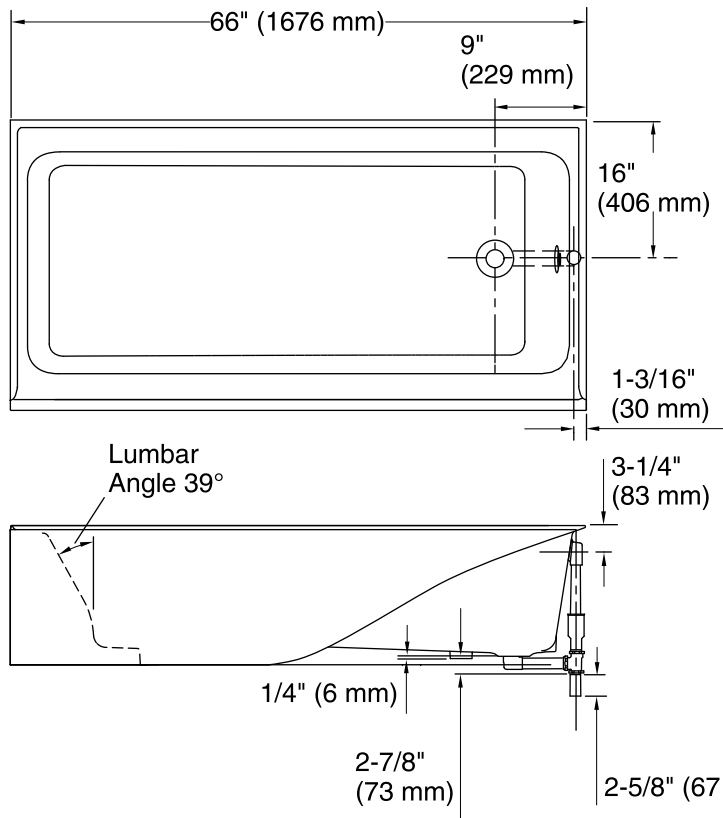
See website for detailed warranty information.

Available Color/Finishes

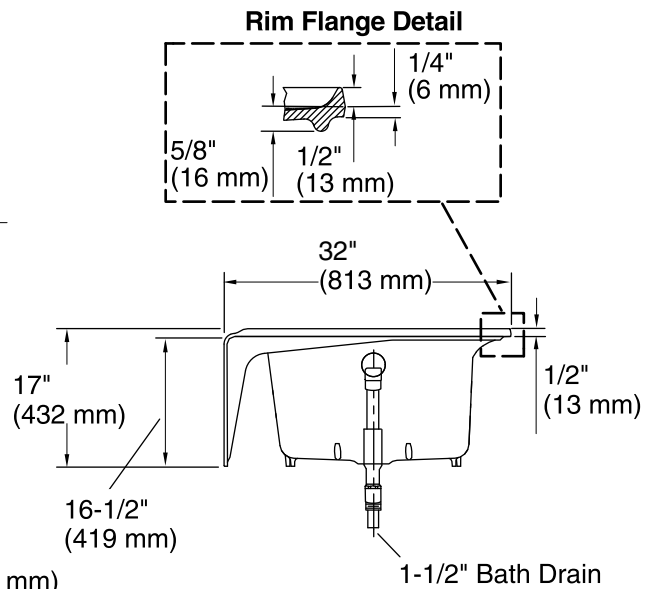
Color tiles intended for reference only.

Color	Code	Description
-------	------	-------------

	0	White
	96	Biscuit
	47	Almond
	NY	Dune
	G9	Sandbar



No change in measurement if connected with drain illustrated. (K-7259)



Technical Information

All product dimensions are nominal.

Installation:	3-Wall Alcove
Drain location:	Right
Basin area, bottom:	50-3/4" x 20-5/16" (1289 mm x 516 mm)
Basin area, top:	58-7/16" x 22-5/8" (1484 mm x 575 mm)
Weight:	400 lbs (181.4 kg)
Minimum floor load:	57 lbs/ft ² (278.3 kg/m ²)
Water depth:	11-11/16" (297 mm)
Water capacity:	49 gal (185.5 L)
Minimum flat for door:	2-1/2" (64 mm)

Notes

Measure your actual product for rough-in details.

Install this product according to the installation instructions.

The hot water supply should be 70% of the capacity of the bath or greater. Installations will vary.

ADA compliant when installed to the specific requirements of these regulations.