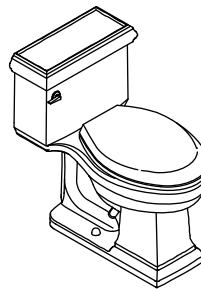


COMFORT HEIGHT® TOILET K-3812 ALSO K-3813

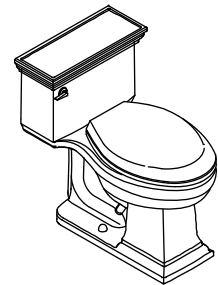
Features

- Vitreous china
- Elongated bowl
- AquaPiston® flushing system
- One-piece
- Includes seat and cover
- Less supply
- 1.28 gpf (4.8 lpf)
- 12" (305 mm) rough-in
- 2-1/8" (54 mm) glazed trapway
- 11" (279 mm) x 8-3/4" (222 mm) water area
- 28-1/8" (714 mm) x 17-3/4" (451 mm) x 28-5/8" (727 mm) [K-3812]
- 28-1/8" (714 mm) x 18-1/4" (464 mm) x 28-1/2" (724 mm) [K-3813]

ADA CSA B651 OBC



K-3812



K-3813

Codes/Standards Applicable

Specified model meets or exceeds the following:

- ADA
- ICC/ANSI A117.1
- CSA B651
- OBC
- ASME A112.19.2/CSA B45.1
- EPA WaterSense®

Colors/Finishes

- 0: White
- Other: Refer to Price Book for additional colors/finishes

Accessories

- 0: White
- PB: Vibrant® Polished Brass
- Other: Refer to Price Book for additional colors/finishes

Specified Model

Model	Description	Trip Lever	Colors/Finishes
K-3812	Comfort Height toilet – Classic design	left-hand	<input type="checkbox"/> 0 <input type="checkbox"/> Other_____
K-3812-RA	Comfort Height toilet – Classic design	right-hand	<input type="checkbox"/> 0 <input type="checkbox"/> Other_____
K-3813	Comfort Height toilet – Stately design	left-hand	<input type="checkbox"/> 0 <input type="checkbox"/> Other_____
K-3813-RA	Comfort Height toilet – Stately design	right-hand	<input type="checkbox"/> 0 <input type="checkbox"/> Other_____
Recommended Accessories			
K-7637	Angle supply with stop – 3/8" NPT		<input type="checkbox"/> Other_____

Product Specification

The elongated bowl toilet shall be made of vitreous china. Toilet shall be one-piece. Toilet shall be 28-1/8" (714 mm) in length, 17-3/4" (451 mm) in width, and 28-5/8" (727 mm) in height [K-3812] or 28-1/8" (714 mm) in length, 18-1/4" (464 mm) in width, and 28-1/2" (724 mm) in height [K-3813]. Toilet shall be 12" (305 mm) rough-in. Toilet shall have an 11" (279 mm) by 8-3/4" (222 mm) water area. Toilet shall feature AquaPiston flushing system and 2-1/8" (54 mm) glazed trapway. Toilet shall be 1.28 gpf (4.8 lpf). Toilet shall include seat and cover. Toilet shall be less supply. Elongated bowl toilet shall be Kohler Model K-_____.

MEMOIRS®

Optional Accessories

K-4650	Lustra™ elongated open-front toilet seat – for ADA compliance	<input type="checkbox"/> 0	<input type="checkbox"/> Other_____
K-9167	Trip lever (non-CP finish)	<input type="checkbox"/> PB	<input type="checkbox"/> Other_____

Technical Information

Fixture:	
Configuration	one-piece, elongated
Water per flush	1.28 gpf (4.8 lpf)
Passageway	2-1/8" (54 mm)
Water area	11" (279 mm) x 8-3/4" (222 mm)
Water depth from rim	6" (152 mm)
Seat post hole centers	5-1/2" (140 mm)

Included components:	
Tank cover – Classic design OR	88871
Tank cover – Stately design	88872
Trip lever – left-hand OR	K-9167-L
Trip lever – right-hand	K-9167-R (cont.)

(cont.) Toilet seat	K-4733
Tank accessory pack	52265
Bolt cap accessory pack	52048

Installation Notes

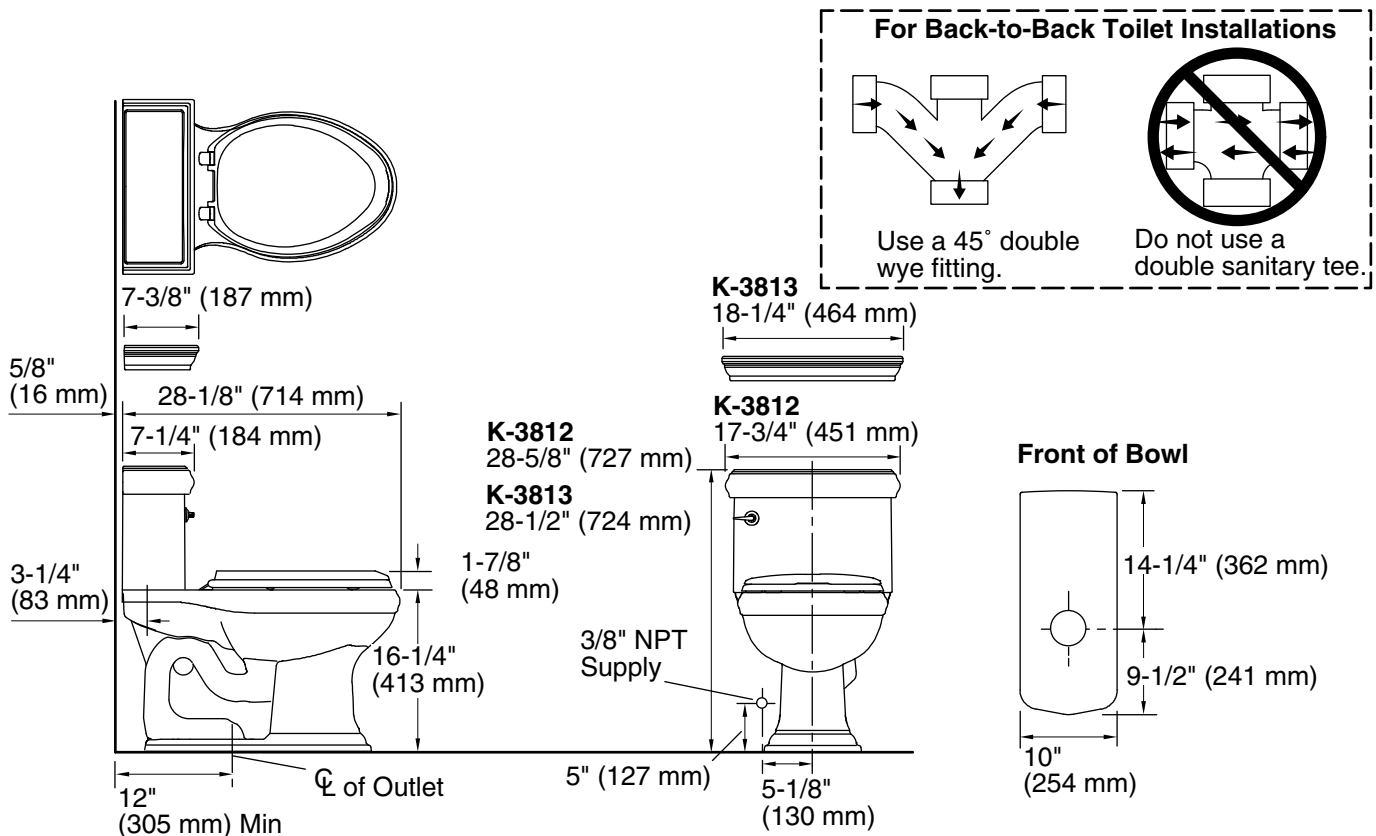
Install this product according to the installation guide.

For back-to-back toilet installations: Use only a 45° double wye fitting.

Will comply with the Americans with Disabilities Act (**ADA**) when installed per the requirements of the 2010 ADA Standards for Accessible Design, Section 604 Water Closets, of the Act. The Model Plumbing Codes require the installation of elongated open-front toilet seats in public bathrooms.

Will comply with **CSA B651** when installed per Clause 4.3.6 of the standard.

Will comply with **OBC** Barrier Free requirements when installed per Clause 3.8.3.8 and 3.8.3.9.



Product Diagram