

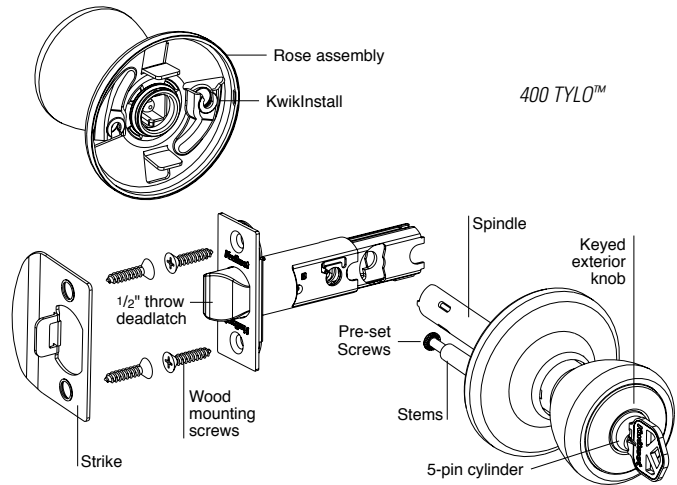
KNOBS

Specifications

Kwikset
Security

KNOB

Door Prep	Cross Bore 2-1/8". Edge Bore 1". Latch Face 1" x 2-1/4".
Backset	Adjustable to 2-3/8" or 2-3/4"
Door Thickness	1-3/8"—1-3/4" doors standard. 2-1/4" doors optional on 200 and 400 functions only.
Cylinder	5-pin.
Faceplates	1" x 2-1/4". Specify round corner, square corner or drive-in.
Strikes	2-1/4" full lip. Specify round corner or square corner. Other options available.
Bolt	1/2" throw for all functions.
Door Handing	Reversible for right- or left-hand doors.
ANSI/BHMA	A156.2 Grade 3.
ADA	N/A
UL	N/A



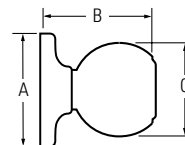
FUNCTIONS

	Patio/Porch: Both knobs locked or unlocked by turn button inside. — 100 F77
	Passage/Hall/Closet: Both knobs always free. — 200 F75
	Privacy/Bed/Bath: Both knobs locked or unlocked by turnbutton inside. Outside knob unlocked by emergency key. — 300 F76
	Privacy/Bathroom: Same function as 300 above. Inside knob polished chrome. — 300 F76
	Entry: Both knobs locked or unlocked by key outside or turnbutton inside. — 400 F82
	Entry: Outside locked or unlocked by key outside or turnbutton inside. Inside always free. — 401 F81
	Storeroom/Vestibule: Outside unlocked only while key is turned. Inside always free. — 450 F86
	Half Dummy Trim, Surface Mounted: For doors where only a pull is required. No operation. — 488

Note: ANSI/BHMA functions are listed in italics.

KwikInstall

DIMENSIONS



Design	A	B	C
Polo®	2-5/8"	2-3/4"	1-7/8"
Tylo®	2-5/8"	2-3/8"	1-7/8"
Valiant®	2-5/8"	2-1/4"	1-7/8"

OPTIONS

Description	See Page	Note
Split Finishes		Price is higher of two finishes.
Keying	58	Keyed Alike (KA) is standard.
2 1/4" thick door screw pack	60-61	
Faceplates		Included. Specify round corner, square corner or drive-in.
Strikes	51-52	Included. Specify round corner, square corner or full round.
Latches	47-50	Adjustable to 2 3/8" or 2 3/4". Specify round corner, square corner or drive-in.
Cylinder core & housing	54-55	