

DESCRIPTION

- Metal construction with a chrome plated, and or LifeShine® polished brass finish
- It is designed to be installed on a 1/2" pipe nipple with IPS threads

OPERATION

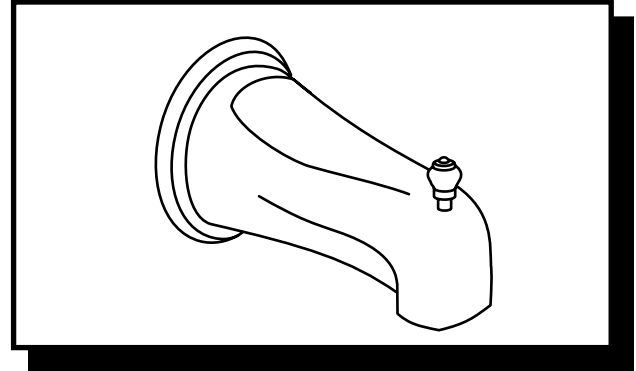
- The diverter is designed to automatically return to the tub fill position when the valve is shut off

STANDARDS

- Designed and manufactured to comply with the requirements of: ANSI/ASME A 112.181M and all applicable requirements referenced therein

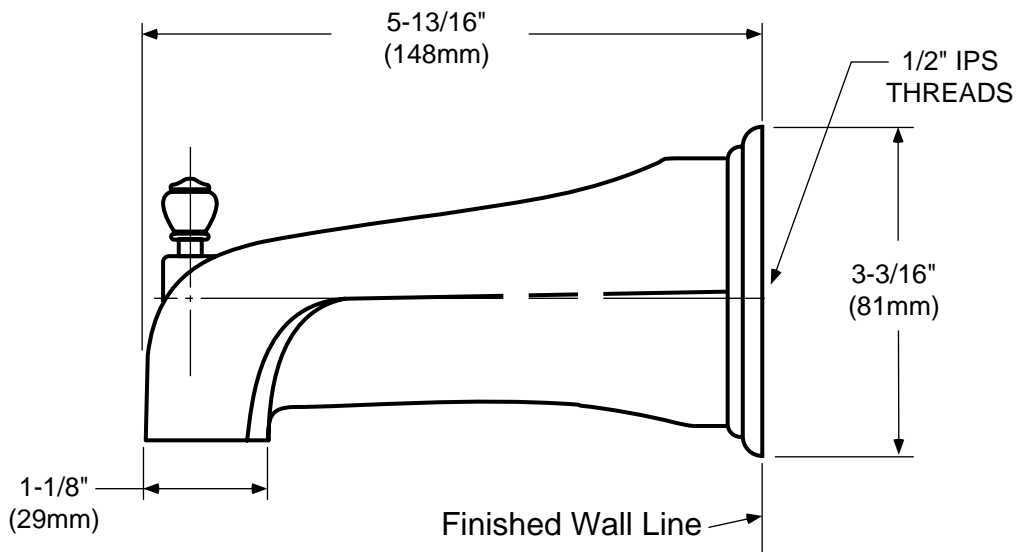
WARRANTY

- Lifetime limited warranty against leaks, drips and finish defects to the original consumer purchaser
- 5 year warranty if used in commercial installations



Diverter Tub Spout

MODEL	FINISH
3806	Chrome
3806CP	Chrome/Pol. Brass
3806P	Polished Brass



CRITICAL DIMENSIONS

(DO NOT SCALE)