



Buy it for looks. Buy it for life.®

Specifications

DESCRIPTION

- Various finishes identified by suffix
- Handheld shower
- 59" double interlock spiral hose (metal)
- Double check valve in handle
- 24" slide bar with push button height selection

OPERATION

- Single function
- Handshower holder rotates to adjust angle of handshower

FLOW

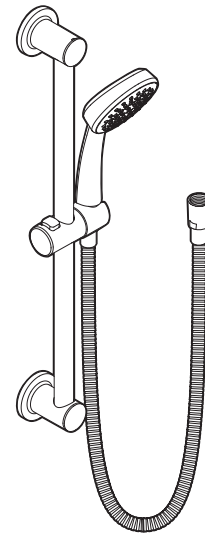
- Designed to deliver 2.5 gpm (9.5 L/min) max. at 80 psi
- EP suffix models are limited to 2.0 gpm (7.6 L/min) max. at 80 psi
- EP17 suffix models are limited to 1.75 gpm (6.7 L/min) max. at 80 psi

STANDARDS

- Designed and manufactured to comply with the applicable requirements of WaterSense®, ASME A112.18.1/CSA B-125.1, ASSE 1014 and all applicable specifications referenced therein
- EP suffix models are third party certified to WaterSense®

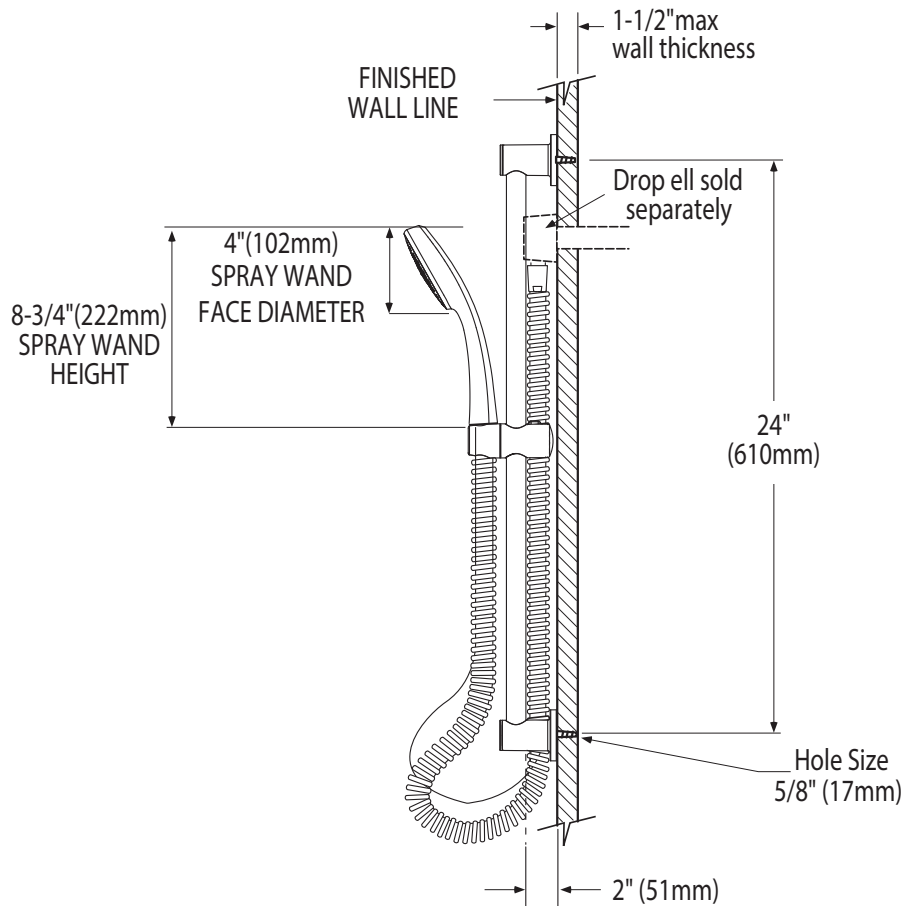
WARRANTY

- Limited lifetime warranty against materials or manufacturing defects



Single Function Handshower with Slide Bar

Model: 3868 series



CRITICAL DIMENSIONS

(DO NOT SCALE)

