



Buy it for looks. Buy it for life.®

Specifications

DESCRIPTION

- Metal construction
- Integral 1/2" PEX
- Includes (2) 1/2" CPVC adapters
- Designed to be installed on decks up to 1-7/8" (48mm) on 10" centers
- Accommodates 1/2" (13mm) additional finish deck
- Includes brass test plug

OPERATION

- Can be installed with any Moen deck mounted Roman tub trim kit
- Rotate hot side handle counterclockwise to open (clockwise to close) and the cold side handle clockwise to open (counterclockwise to close)

FLOW

- Designed to deliver 16 gpm at 45 psi. (60L/min)

CARTRIDGE

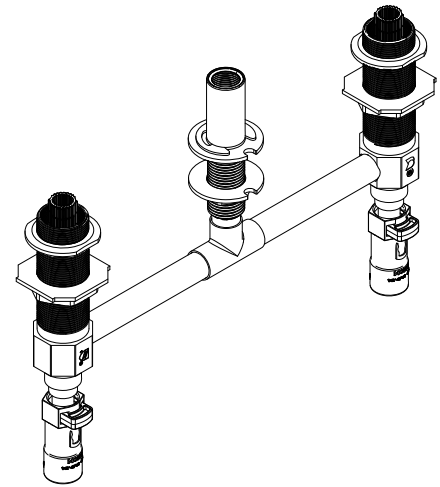
- Nonmetallic and stainless steel materials

STANDARDS

- Designed and manufactured to comply with the applicable requirements of: ASME A112.18.1/CSA B-125.1, ASTM F1807, CSA B137.5 for PEX, ASTM D2846, CSA B137.6 for CPVC and all applicable requirements referenced therein

WARRANTY

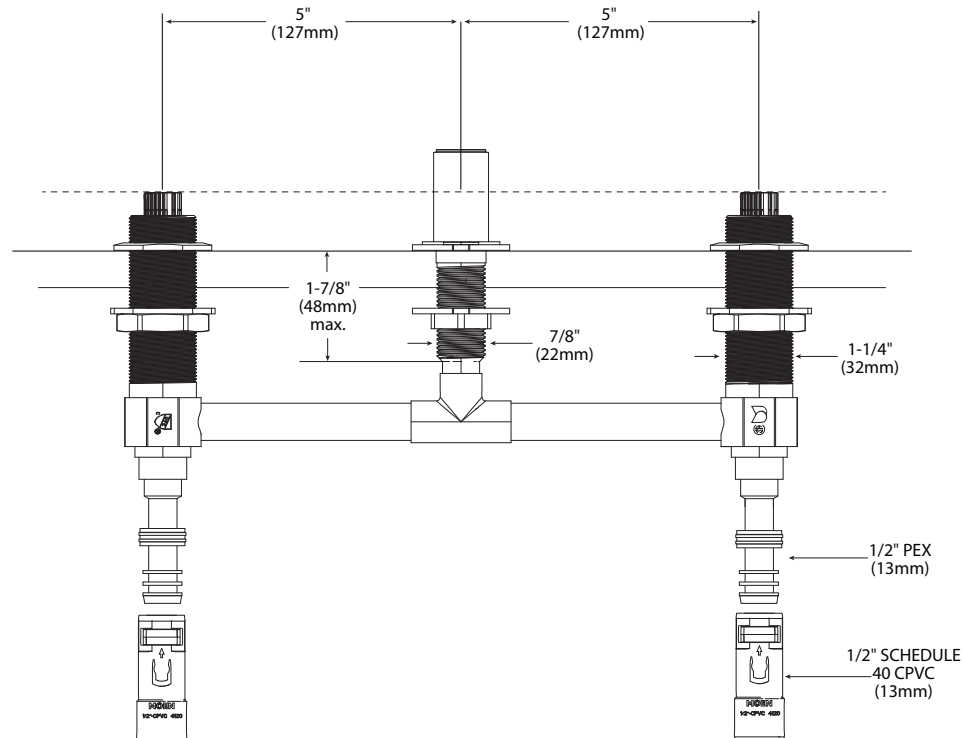
- Lifetime limited warranty against leaks, drips and finish defects to the original consumer purchaser
- 5 year warranty if used in commercial installations



**Roman Tub High Flow Rough-In Valve
10" (Fixed Type)**

Model: 4797

(104465 Thermostatic mixing valve
sold separately)



CRITICAL DIMENSIONS

(DO NOT SCALE)