



Buy it for looks. Buy it for life.®

Specifications

DESCRIPTION

- Available in various finishes identified by suffix
- Fixed mount showerhead only
- Nonmetallic spray face and shell
- Brass swivel ball assembly

FLOW

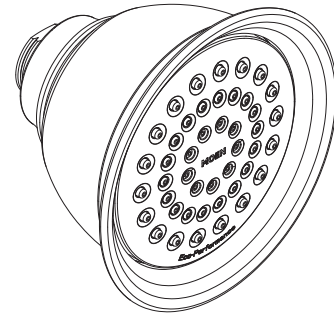
- Showerhead is limited to 2.5 gpm (9.5 L/min) max
- EP suffix models are limited to 1.75 gpm (6.6 L/min) max
- EP15 suffix models are limited to 1.5 gpm (5.7 L/min) max

STANDARDS

- Third party certified to meet ASME A112.18.1/CSA B125.1 and all applicable requirements referenced therein
- EP suffix models are third party certified to WaterSense®

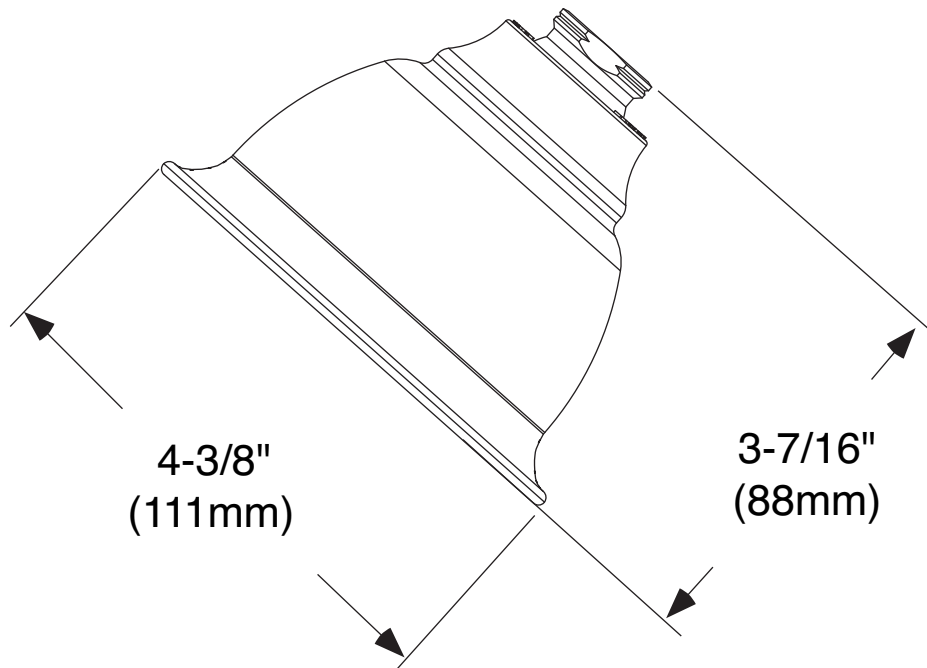
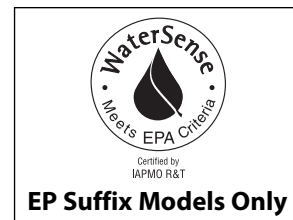
WARRANTY

- Lifetime limited warranty against leaks, drips and finish defects to the original consumer purchaser
- 5 year warranty if used in commercial installations



**Moenflo® XL
Single Function Showerhead**

Models: 6302 series



CRITICAL DIMENSIONS

(DO NOT SCALE)