

Economy Technical Specification

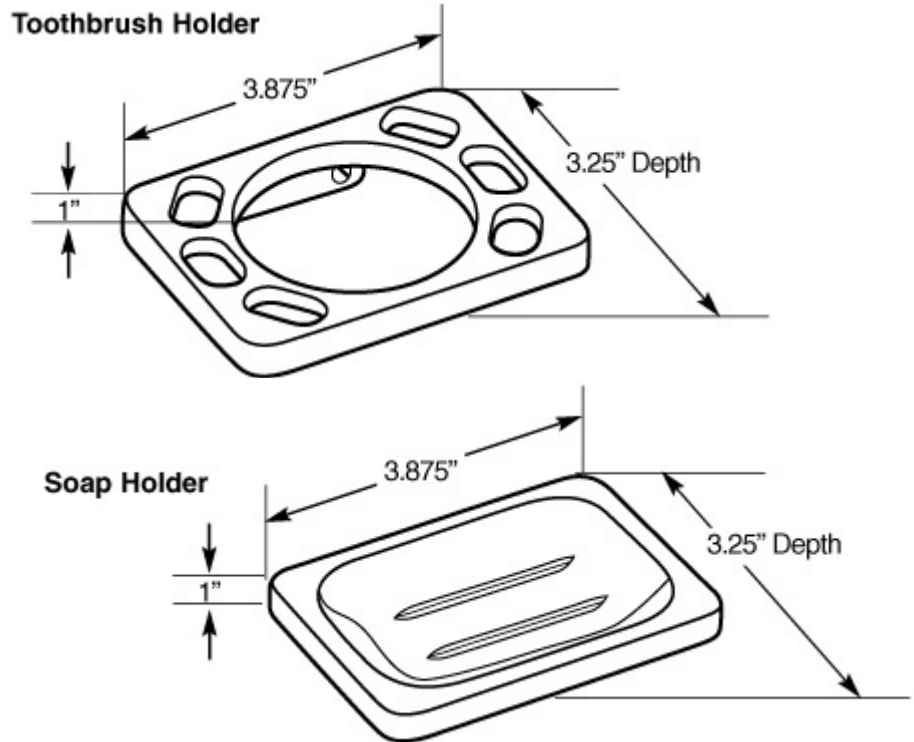
Toothbrush & Soap Holders

934, 936

Stock Numbers:

- q **R934 – Toothbrush Holder**
Polished Chrome Finish
Plastic Body
Exposed Screw Mounting
- q **934 – Toothbrush Holder**
Polished Chrome Finish
Metal Body
Exposed Screw Mounting
- q **R936 – Soap Holder**
Polished Chrome Finish
Plastic Body
Exposed Screw Mounting
- q **936 – Soap Holder**
Polished Chrome Finish
Metal Body
Exposed Screw Mounting

Dimensions:



Materials:

Toothbrush and Soap Holders are die cast from highest quality zinc alloy (zamac) or injection molded with plastic. Castings are triple plated with a polished chrome finish.

Installation Instructions:

1. Place unit on wall in desired location.
2. Mark location of holes. Drill starter holes.
3. Attach unit to wall with 1 ½" screws (provided).

Note: Wood blocking is preferable behind all wall surfaces.

If wood blocking is not available, the following optional fasteners are suggested: Tile/Masonry – Plastic or Lead Anchors; Plaster/Drywall – Toggle Bolts.

Cleaning Instructions:

To preserve the fine finish of this product, clean only with a soft damp cloth. Dry well. Do not use commercial or abrasive cleaners.

Stock Number: _____ **Toothbrush & Soap Holders**
By CSI Bath Furnishings

