



Specifications

Buy it for looks. Buy it for life.®

DESCRIPTION

- Digital thermostatic valve design with 3/4" inlet push fit connections and 1/2" outlet push fit connections

OPERATION

- Temperature range adjustment from 60 degrees F to 120 degrees F (16 degrees C to 49 degrees C). Factory maximum setting is 115 degrees (46 degrees C)
- Must be used with TS3420 or TS295 series
- Valve must be installed in an area that has an access panel
- Electrical power supply requirements 240V/ 50-60Hz or 120V/ 60Hz

FLOW

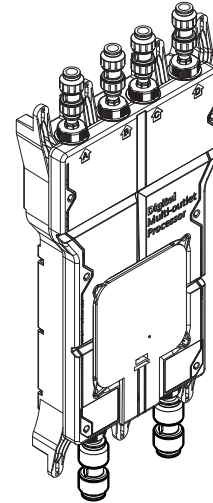
- Designed to deliver 17.5gpm (66 L/min) at 45 psi unrestricted flow. Min flow 2.4 gpm (9.1 L/min)
- Designed to deliver 6.0 gpm (22.7 L/min) at 45 psi (one outlet)

STANDARDS

- Third party certified to meet ASME A112.18.1/CSA B-125.1, CSA B125.3, ASSE 1016, ASSE 1070 and all applicable requirements referenced therein
- Third party certified to meet UL1951
- Third party certified to meet FCC part 15

WARRANTY

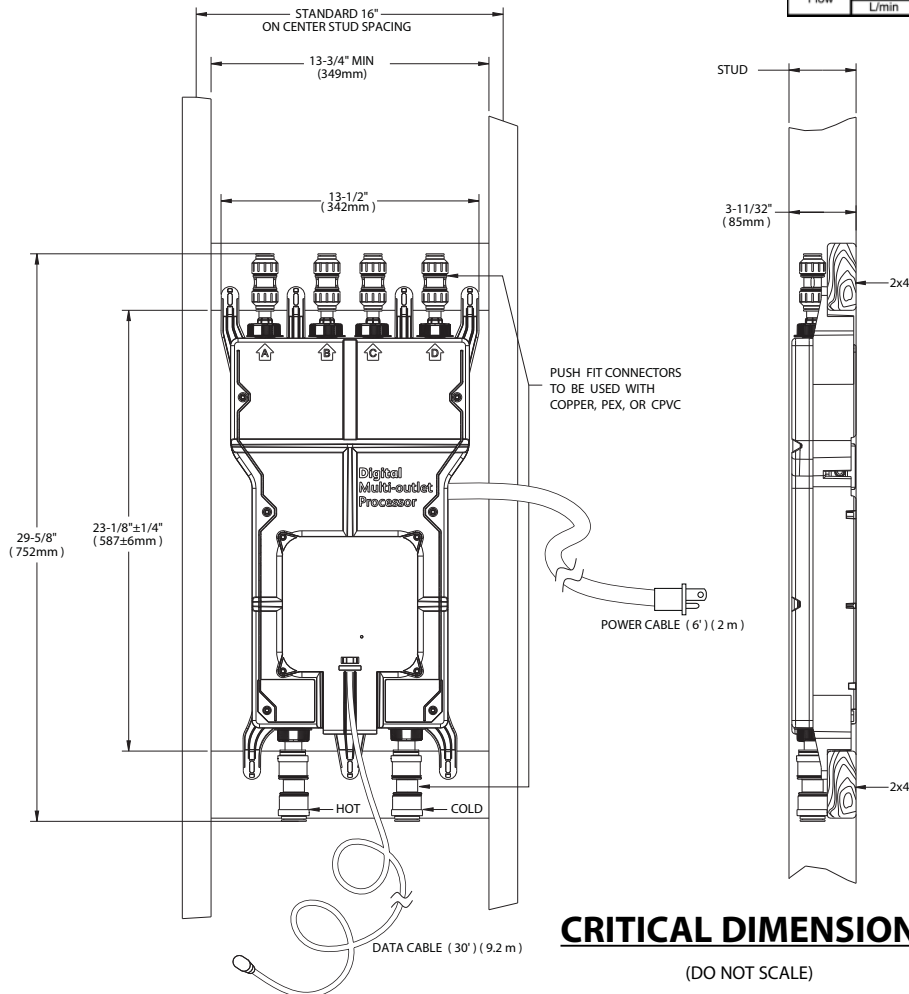
- Lifetime 5 year warranty against leaks, drips and operation defects to the original consumer purchaser
- 1 year warranty if used in commercial installations



ioDIGITAL™ Thermostatic Shower Valve

Model: S3384

		Pressure Differential-psi (kPa) (one outlet)							
Pressure	psig	5	10	20	30	45	60	80	100
	kPa	34	69	138	207	310	413	551	689
Flow	gpm	2.53	4.01	4.57	5.68	6.75	7.48	8.2	8.7
	L/min	9.6	15.2	17.3	21.5	25.5	28.3	31.0	32.9



CRITICAL DIMENSIONS

(DO NOT SCALE)

