



Buy it for looks. Buy it for life.®

Specifications

DESCRIPTION

- Metal construction with finishes identified by suffix
- Includes 7" rainfall showerhead, arm and flange

OPERATION

- Handle operates counterclockwise through a 270° arc with off at 6 o'clock and maximum hot at the 9 o'clock position. Shut off in clockwise direction
- Adjustable temperature limit stop to control maximum hot water temperature
- Pressure balancing mechanism maintains selected discharge temperature to $\pm 3.6^\circ\text{F}$ ($\pm 2^\circ\text{C}$)

FLOW

- Showerhead is limited to 2.5 gpm max. (9.5 L/min)

CARTRIDGE

- 1222 cartridge design
- Nonmetallic/nonferrous and stainless steel materials
- Accommodates back to back installations

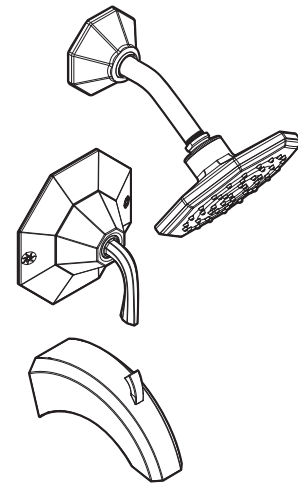
STANDARDS

- Third party certified to CSA B125.1, ASME A112.18.1, ANSI A117.1, ASSE 1016, and all applicable requirements referenced therein

- **ADA**  for lever handle

WARRANTY

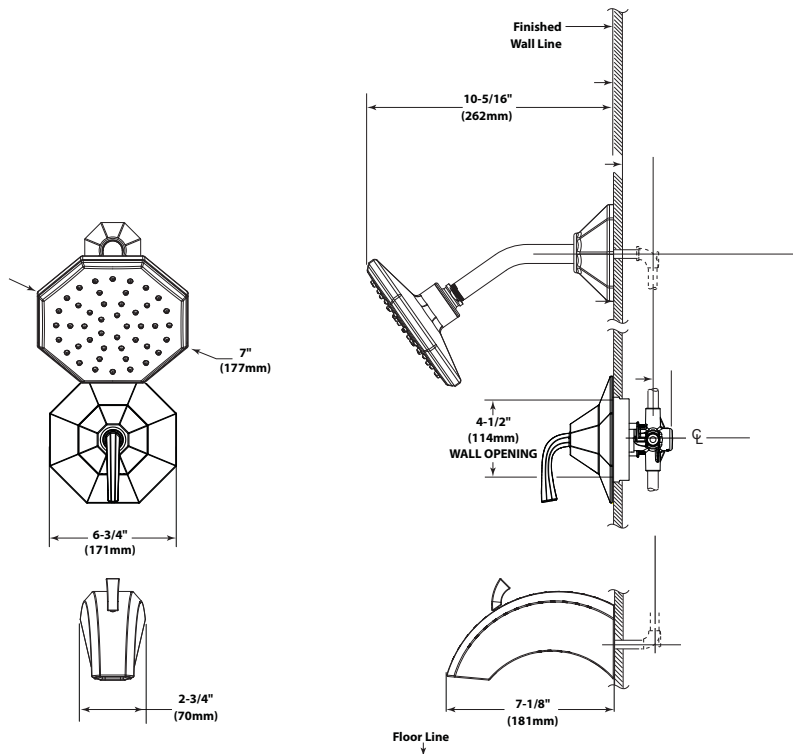
- Lifetime limited warranty against leaks, drips and finish defects to the original consumer purchaser
- 5 year warranty if used in commercial installations



FELICITY™ POSI-TEMP® Single-Handle Tub/Shower (Trim Only)

Models: TS340 series-valve trim only
TS342 series-shower trim only
TS344 series-tub/shower trim

Valve: 2500 series
62300 series



CRITICAL DIMENSIONS

(DO NOT SCALE)

FOR MORE INFORMATION CALL: 1-800-BUY-MOEN

www.moen.com