

# ALVESTON

Single Light

## 19-51SB

Also 19-51SC

### Features

- Solid brass construction
- Single-post, single light design
- UL listed for damp locations
- Upward facing shade design
- Complements Alveston product series

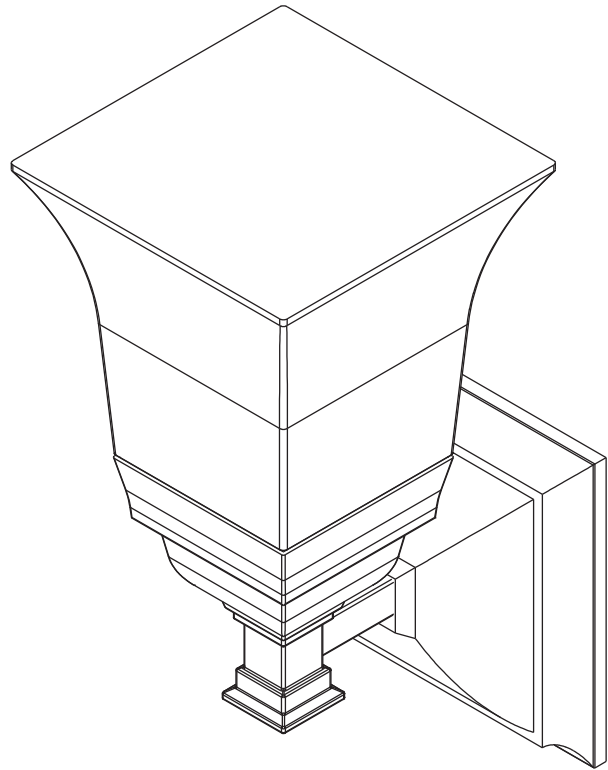
### Codes / Standards Compliance

Meets or exceeds the following at date of manufacture:

- UL 1598
- All applicable US Federal and State material regulations

### Colors / Finishes

- 15: Polished Nickel
- 15S: Satin Nickel
- 26: Polished Chrome
- 10B: Oil Rubbed Bronze
- Other: Refer to the Newport Brass catalog for additional color/finish options. Item not available in 10 (Satin Bronze – PVD) or 24A (French Gold – PVD). All other PVD finish requests will be accommodated as non-PVD equivalents.



### Specified Model

Model	Description	Colors   Finishes				
19-51SB	Single Light, Clear Glass (depicted)	<input type="checkbox"/> 15	<input type="checkbox"/> 15S	<input type="checkbox"/> 26	<input type="checkbox"/> 10B	<input type="checkbox"/> Other
19-51SC	Single Light, Etched Glass	<input type="checkbox"/> 15	<input type="checkbox"/> 15S	<input type="checkbox"/> 26	<input type="checkbox"/> 10B	<input type="checkbox"/> Other
SB	Replacement Glass Shade, Clear Glass					
SC	Replacement Glass Shade, Etched Glass					

### Product Specification: Add glass type designator and "Color / Finish" suffix to Model number, below.

The Single Light shall incorporate solid brass construction and (a clear or an etched) glass shade. Single Light shall complement Newport Brass Alveston product series. Single Light shall be Newport Brass Model 19-51S\_\_\_\_/\_\_\_\_.

# 19-51SB

**Product Dimensions** *(units are in inches)*

