

Features

- Solid brass construction
- Traditional styling
- Simulated rainfall shower pattern
- Rubber nozzles facilitate easy cleaning
- 1/2" NPT inlet pivot ball fitting
- 8.92" (22.7 cm) showerhead diameter
- CEILING MOUNT ONLY
- 1.8 GPM (6.8 LPM) Max

Showerhead

2152



Codes / Standards Compliance

Meets or exceeds the following at date of manufacture:

- ASME A112.18.1/CSA B125.1
- IAMPO/cUPC
- IPC
- Energy Policy Act of 1992
- EPA WaterSense
- California Energy Commission
- All applicable US Federal and State material regulations



Colors / Finishes

- 10B: Oil Rubbed Bronze
- 15: Polished Nickel
- 15S: Satin Nickel - PVD
- 26: Polished Chrome
- Other: Refer to the Newport Brass catalog for additional color/finish options.

Specified Model

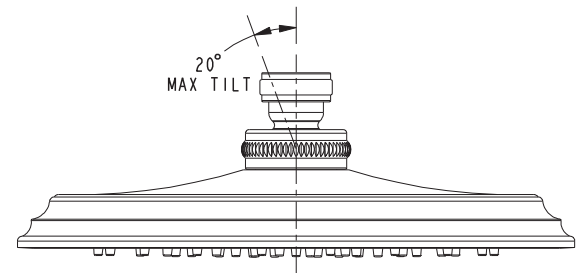
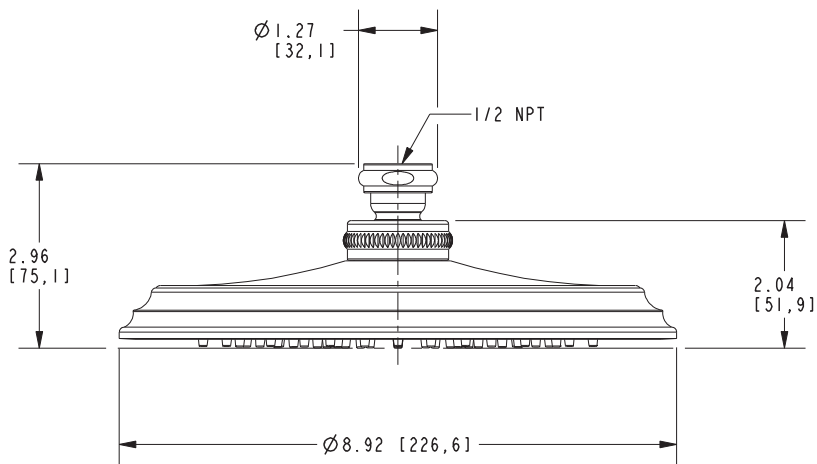
Model	Description	Colors Finishes
2152	Showerhead	<input type="checkbox"/> 10B <input type="checkbox"/> 15 <input type="checkbox"/> 15S <input type="checkbox"/> 26 <input type="checkbox"/> Other

Product Specification Add "Color / Finish" suffix to Model number, below.

The Showerhead shall be of solid brass construction while incorporating a non-metallic showerhead engine. Showerhead shall have a simulated rainfall shower pattern and incorporate rubber nozzles to facilitate easy cleaning. Showerhead shall have a 1/2" NPT inlet fitting and 8.92" (22.7 cm) showerhead diameter while operating at 1.8 gallons (6.8 liters) per minute maximum flow rate. Showerhead shall be Newport Brass Model 2152/____.

2152

PRODUCT DIMENSIONS *(Units are in inches)*



Newport Bath Showerhead 2152