

NEWPORT 365

Tub and Shower Trim

3-7002

Also 2-116, 2-222

Features

- Solid brass construction
- Face plate with handle escutcheon and ADA compliant diverter pull-knob
- 2.0 gallons (7.6 liters) per minute maximum flow rate showerhead
- Specified handle (lever or cross) is ADA compliant when used with Tub and Shower Trim
- Intended for use with Newport Brass rough valve(s) as specified (Required Accessory)

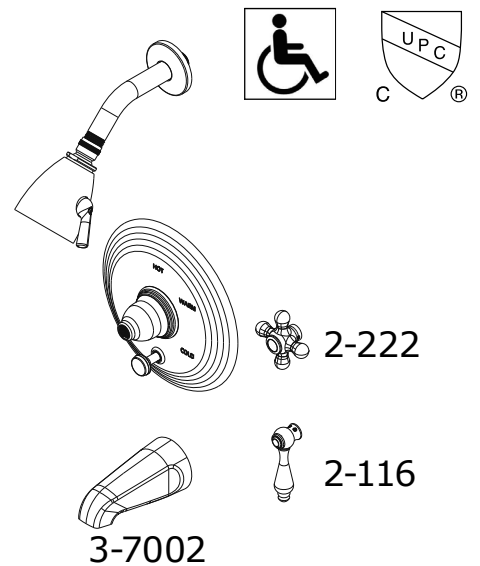
Codes / Standards Compliance

Meets or exceeds the following at date of manufacture:

- ASME A112.18.1/CSA B125.1
- IAPMO/cUPC
- IPC
- ADA
- ICC/ANSI A117.1
- ASSE 1016
- Energy Policy Act of 1992
- All applicable US Federal and State material regulations

Colors / Finishes

- 10B: Oil Rubbed Bronze
- 15: Polished Nickel
- 15S: Satin Nickel
- 26: Polished Chrome
- Other: N/A



Specified Model:

Model	Description	Colors / Finishes
3-7002	Tub and Shower Trim	<input type="checkbox"/> 10B <input type="checkbox"/> 15 <input type="checkbox"/> 15S <input type="checkbox"/> 26
2-116	Lever Handle for Tub and Shower Trim	<input type="checkbox"/> 10B <input type="checkbox"/> 15 <input type="checkbox"/> 15S <input type="checkbox"/> 26
2-222	Cross Handle for Tub and Shower Trim	<input type="checkbox"/> 10B <input type="checkbox"/> 15 <input type="checkbox"/> 15S <input type="checkbox"/> 26

Required Accessory:

Trim(s), above, and Rough Valve(s), below, must be specified.

Application	Tub Only Valve*	Shower (or Tub) Valve	Tub & Shower Valve	Shower System Valve	Control Valve
Description	2-Cartridge Assembly	Balance Pressure (BP)	BP w/ Diverter	Thermostatic	Diverter (3/4 port)
Inlet/Outlet Size	1/2"	1/2"	1/2"	3/4"	1/2"
Part Number	<input type="checkbox"/> NA	<input type="checkbox"/> NA	<input type="checkbox"/> 1-595	<input type="checkbox"/> NA	<input type="checkbox"/> 1-617
Image					

Product Specification:

Add "Color / Finish" suffix to Model number, below.

The single-control Tub and Shower Trim shall be made of solid brass construction. Tub and Shower Trim shall include showerhead with arm and flange, tub spout and faceplate with escutcheon and ADA compliant diverter pull-knob. Specified handle (lever or cross) is ADA compliant when used with Tub and Shower Trim. Showerhead shall have a maximum flow rate of 2.0 gallons (7.6 liters) per minute. Tub and Shower Trim shall be Newport Brass Model 3-7002/____ and single-control Tub and Shower rough valve shall be Newport Brass Model 1-595. Required Handle for Tub and Shower Trim shall be 2-_____/ ____.

3-7002

Product Dimensions (units are in inches)

