

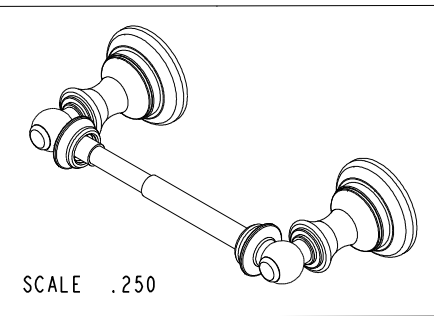
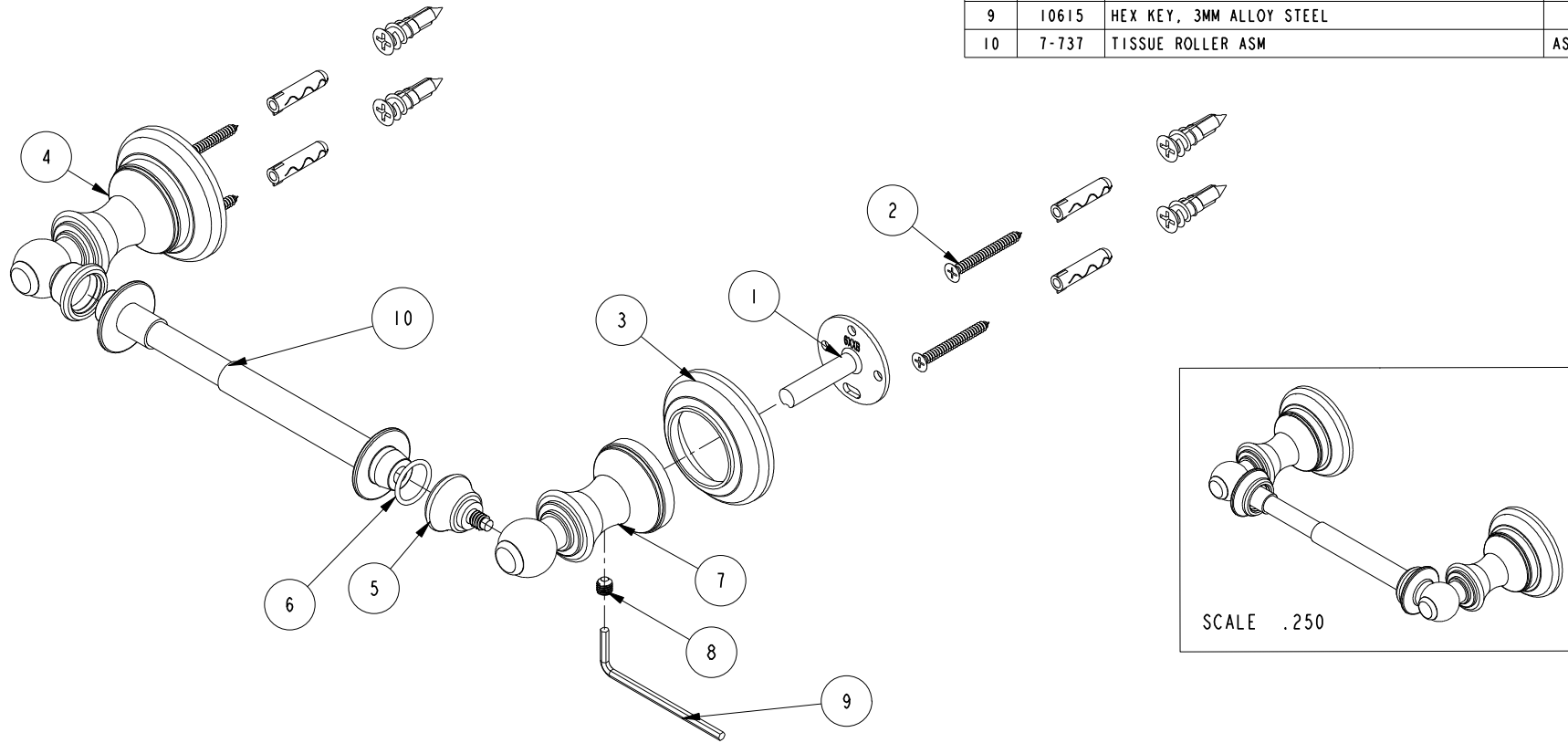
NOTES:

(N1) 1. FIT / FORM / FUNCTION SHALL FOLLOW PS-E.008.

2. APPLY LOCTITE 680.

BILL OF MATERIAL (CURRENT LEVEL)

ITEM	PT/ASSY	DESCRIPTION	TYPE	QTY.
1	6XXB	MOUNTING BRACKET	PART	2
2	1-206	HARDWARE PACK	ASSEMBLY	2
3	2-656	HANDLE ESCUTCHEON ASM	ASSEMBLY	2
4	40720	TOWEL BAR POST LEFT	PART	1
5	40734	FINIAL, TOWEL BAR	PART	2
6	91020	O-RING, #2-016, EPDM, 65-75 DURO, NSF 61	PART	2
7	40721	TOWEL BAR POST RIGHT	PART	1
8	92031	SCRW, M6 X 1 X 6 SKT HD CUP PT W/ SELF LOC SS	PART	2
9	10615	HEX KEY, 3MM ALLOY STEEL	PART	1
10	7-737	TISSUE ROLLER ASM	ASSEMBLY	1



TESTING	-	-	-
ASSEMBLY	-	-	-
PLATING	-	-	-
POLISHING	-	NEXT ASSY	USED ON
MACHINING	-	APPLICATION	
TOOLING FIXTURE #	REMOVE ALL BURRS AND SHARP EDGES		

UNITS ARE: INCHES [MM]		
TOLERANCES ARE:		
FRACTIONS	DECIMALS	ANGLES
±1/16"	.X ±.1 [2.5]	±1°
	.XX ±.06 [1.5]	
(X.XXX) DENOTES CRITICAL DIMS.		
ALL THREADS ARE CRITICAL		
DRAWN	R.S.	09/03/19
CHECKED	J.M.	09/03/19
APPROVED	J.M.	09/03/19

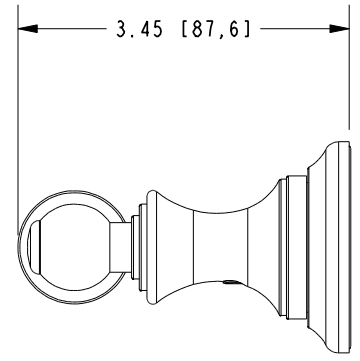
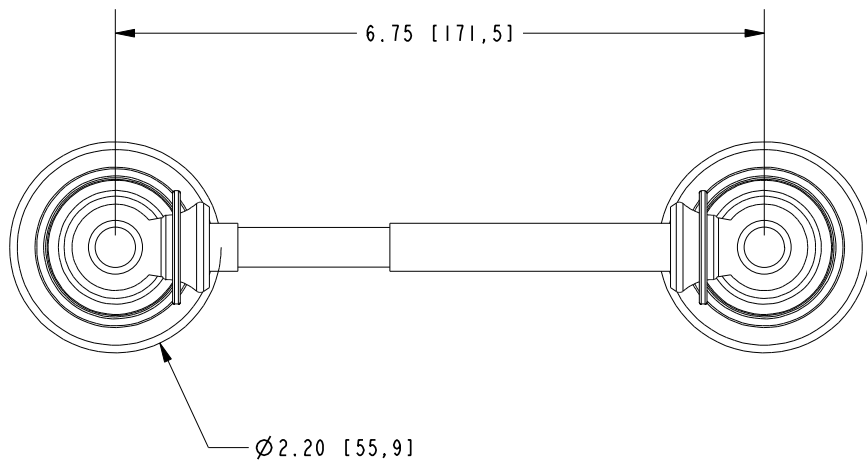
BRASSTECH 2001 CARNEGIE AVE.
INCORPORATED SANTA ANA, CA 92705
(949) 417-5207

DOUBLE POST TOILET TISSUE HOLDER

DWG NO.	REV
35-28	A
SCALE .375	REF. -
SHEET 1	OF 2

COPYRIGHT 2005 BRASSTECH, INC. THESE DRAWINGS AND THE DESIGNS DEPICTED HEREIN ARE THE PROPRIETARY PROPERTY OF BRASSTECH. ANY USE OR REPRODUCTION IS SUBJECT TO THE EXPRESS APPROVAL OF BRASSTECH. UNAUTHORIZED USE IS STRICTLY PROHIBITED. ALL RIGHTS RESERVED.

ZONE	REV	DESCRIPTION	DATE	APPROVED
-	A	EN-3950	09/03/19	J.M.
-	-	EN-1266	06/02/10	J.M.



BRASSTECH		2001 E. CARNEGIE AVE. SANTA ANA, CA 92705 (949) 417-5207	
DWG NO.	35-28	REV	A
SCALE	.500	REF.	-
		SHEET	2 OF 2