

# INSTALLATION INSTRUCTIONS EXPOSED T WITH HAND SHOWER

**NEWPORT BRASS**

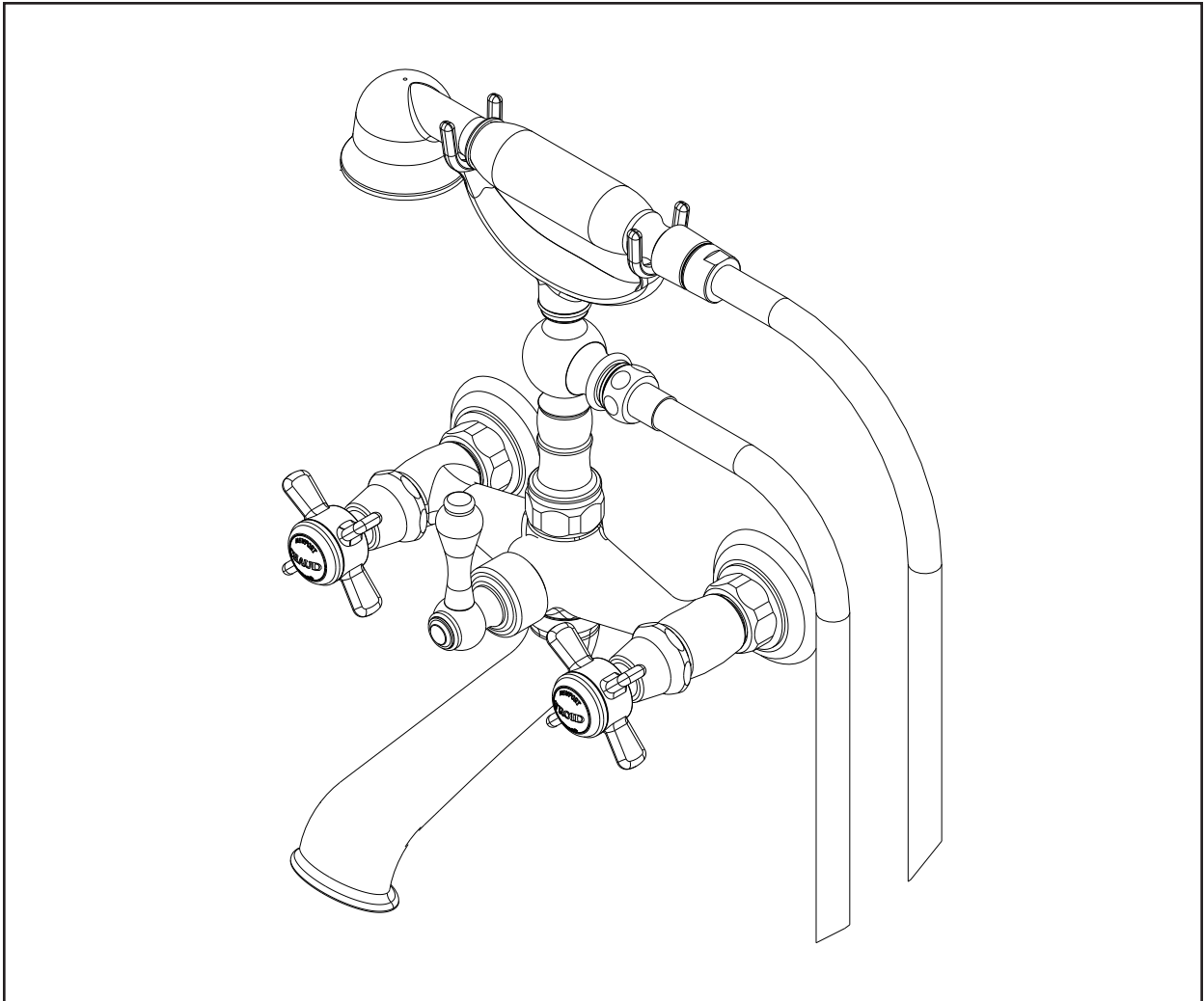
*Flawless Beauty. From Faucet to Finish.™*

Model No: 934, 1014

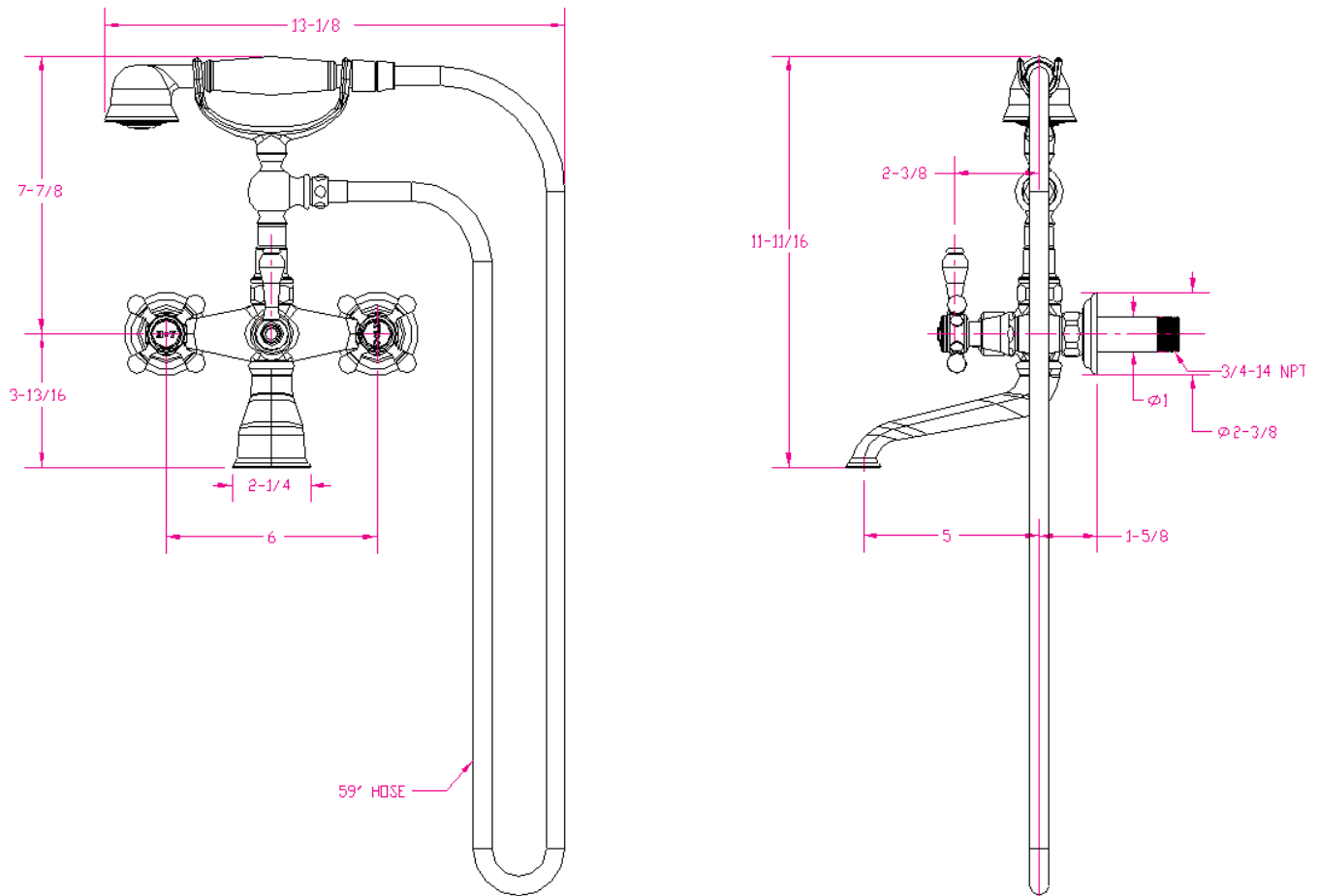
**850-4283**

**2400-4282**

**2400-4283**



**Congratulations on the purchase  
of your Newport Brass product,  
an excellent choice, that will give you  
years of quality service and enhance  
the look and style of your home.**



## Recommended Installation by a Professional Plumbing Contractor

Note: The use of petroleum base plumbers putty on our products will nullify the warranty. We recommend the use of clear silicone sealing materials. Recommended deck hole 2 @  $\varnothing 1.25$  and 6" apart - center to center.

Based on finished wall thickness, installer must use appropriate length 3/4" NPT NIPPLE (1), not included, for faucet installation.

1. Apply thread sealant to the threads of the NIPPLE (1) and thread into fitting behind finished wall. Place ESCUTCHEON (2) over NIPPLE (1). Attach faucet BODY (3) to the other end of NIPPLE (1) and flush against ESCUTCHEON (2). See Figure 1.
2. Thread hand shower RISER (4) to faucet BODY (3). Attach the flex HOSE (5) to RISER (4) and hand SHOWER (6). (Hand-tighten and secure each connection with a wrench 1/4 turn.) See Figure 2.
3. Check for leaks and make any final adjustments required.

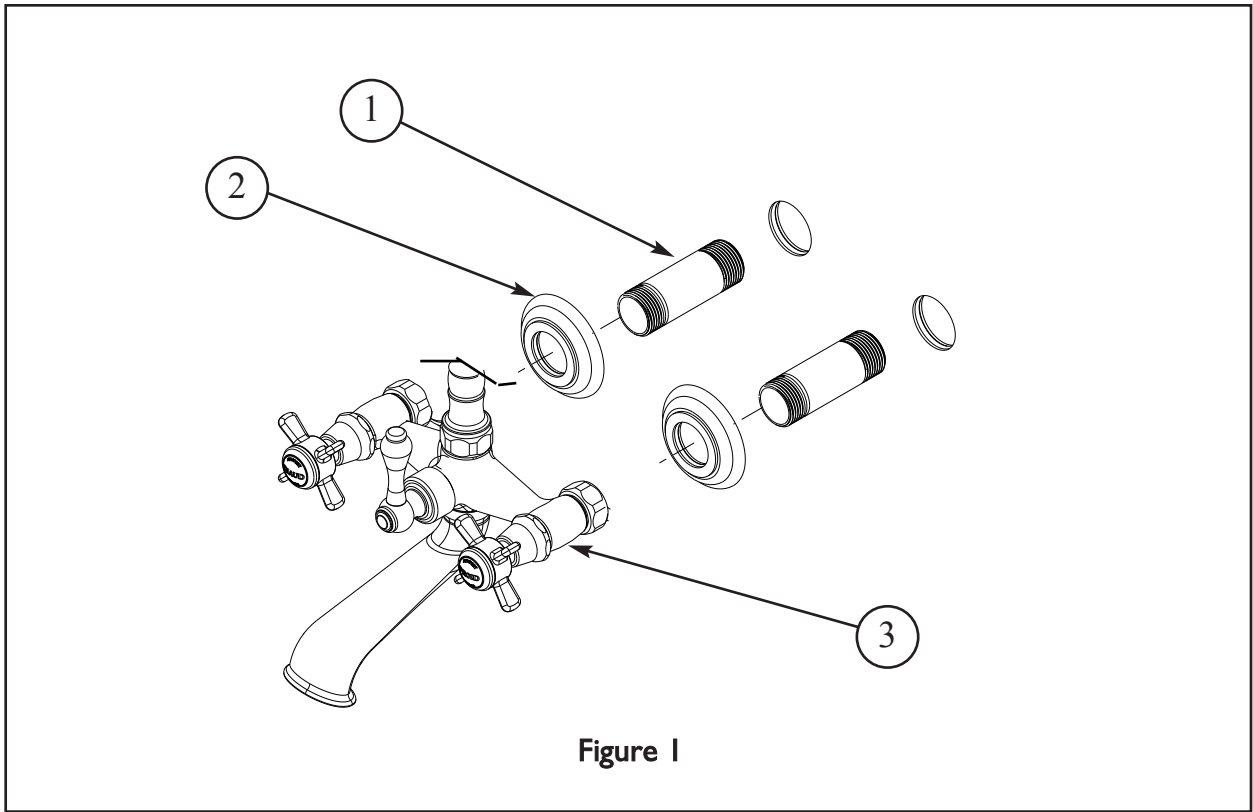


Figure 1

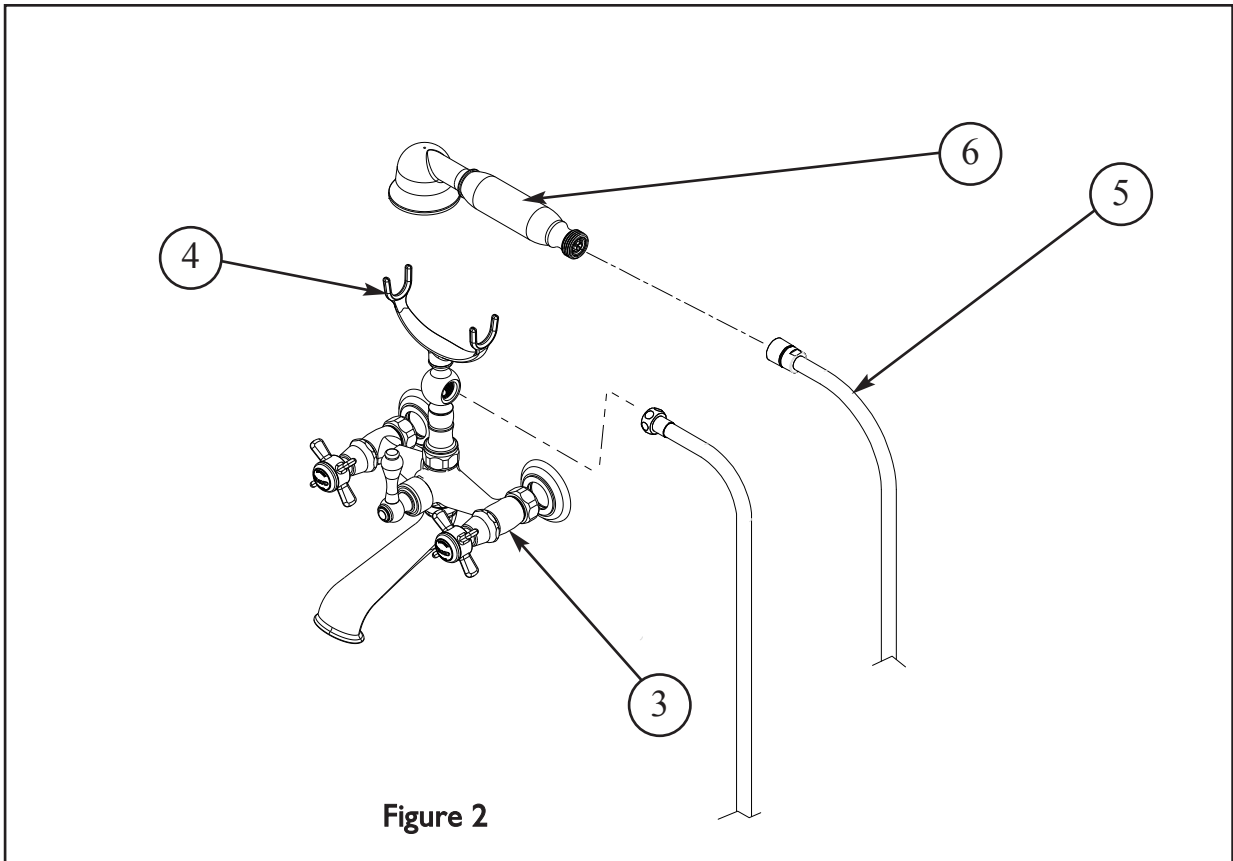


Figure 2