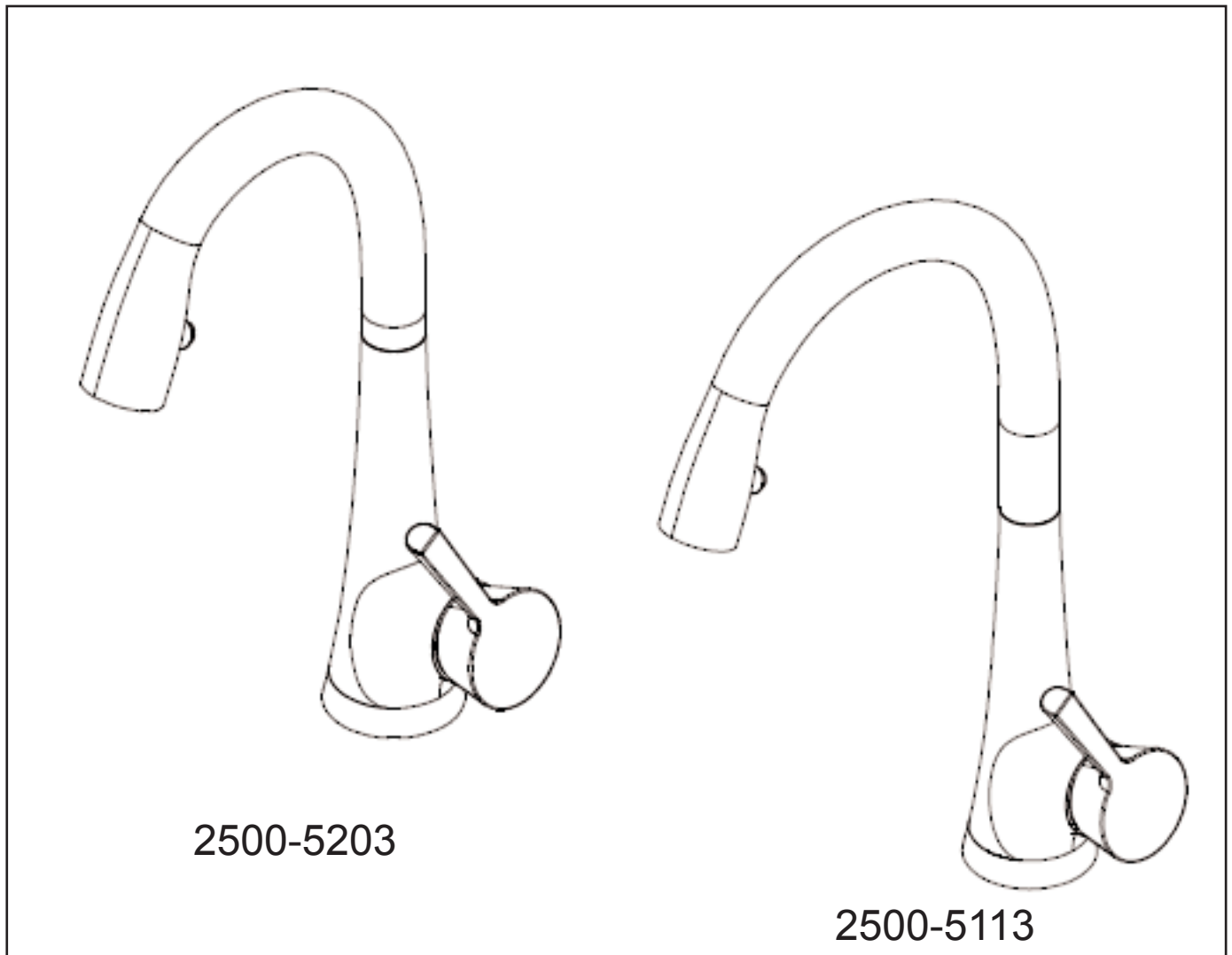


INSTALLATION INSTRUCTIONS
VESPERA PULL DOWN
KITCHEN FAUCET

NEWPORT BRASS®
Flawless Beauty. From Faucet to Finish.™

Model No's: 2500-5203, 2500-5113



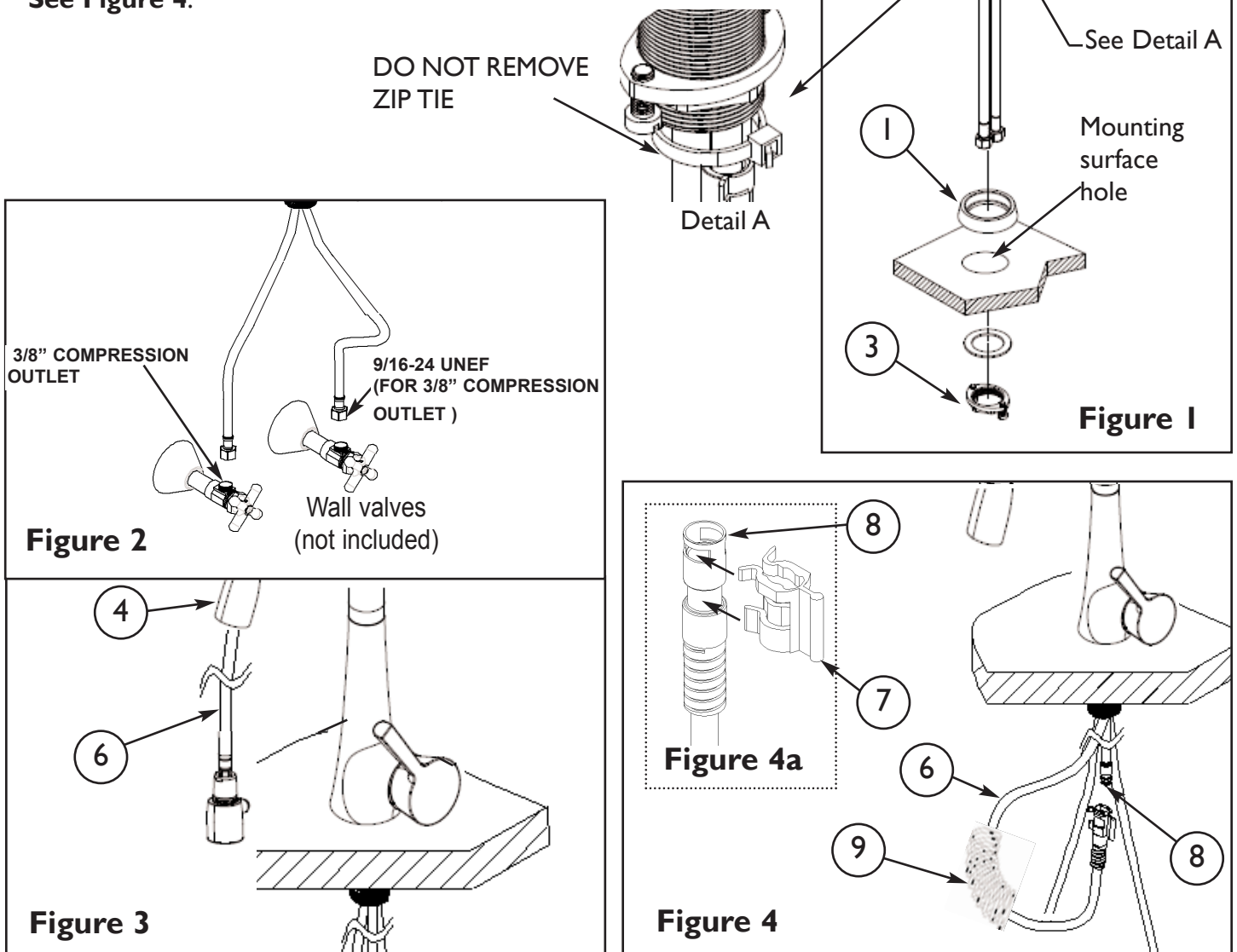
**Congratulations on the purchase
of your Newport Brass product,
an excellent choice, that will give you
years of quality service and enhance
the look and style of your home.**

Recommended Installation by a Professional Plumbing Contractor

Note: The use of petroleum base plumbers putty on our products will nullify the warranty. We recommend the use of clear silicone sealing materials.

If mounting faucet to stainless steel rim, an under-mount support, (e.g. wood, appropriate size x 1/2" thick), should be utilized.

1. Drill hole in mounting surface. Recommended deck hole $\text{Ø}1.350''$ not to exceed $\text{Ø}1.562''$.
2. Place O-ring (2) on underside of base RING (1). **See Figure 1a.**
3. Insert Hoses through hole in mounting surface. Secure into place with MOUNTING KIT (3). **See Figure 1.**
4. Attach hot/cold spout supply directly to valves in the wall. **See Fig. 2**
5. **DO NOT** remove the HOSE (6) from SPOUT (4). **See Figure 3.**
6. Remove SPRING (9) from suport and slide onto HOSE(6). **See Fig.4.**
7. Attach CLIP (7) to HOSE (6) as shown. **See Figure 4a.** Connect to valve OUTLET (8) by firmly pressing together until it clicks into place. **See Figure 4.**



8. With faucet in the OFF position, open water supply valves. Inspect connections under sink for leaks. **DO NOT** turn faucet on yet.
9. Pull SPRAYHEAD (5) out from SPOUT (4). While holding HOSE (6), unscrew SPRAYHEAD (5). Aiming HOSE (6) into sink, turn on faucet to center position (mixed) and flush for one minute to remove debris from lines.
10. Turn OFF faucet and reattach SPRAYHEAD (5) to HOSE (6). See **Figure 5**.
11. Check the SPRAYHEAD (5) by operating the trigger from aerator to spray. Spray engine will reset to aerator mode when water is turned off.

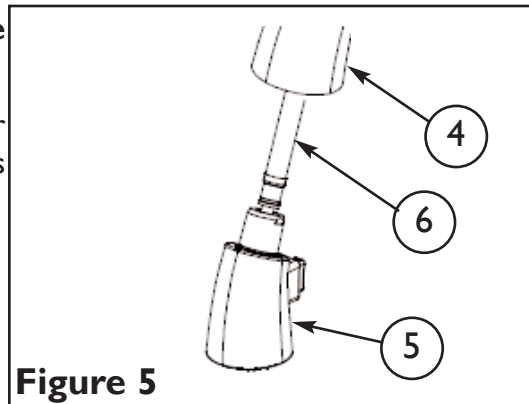
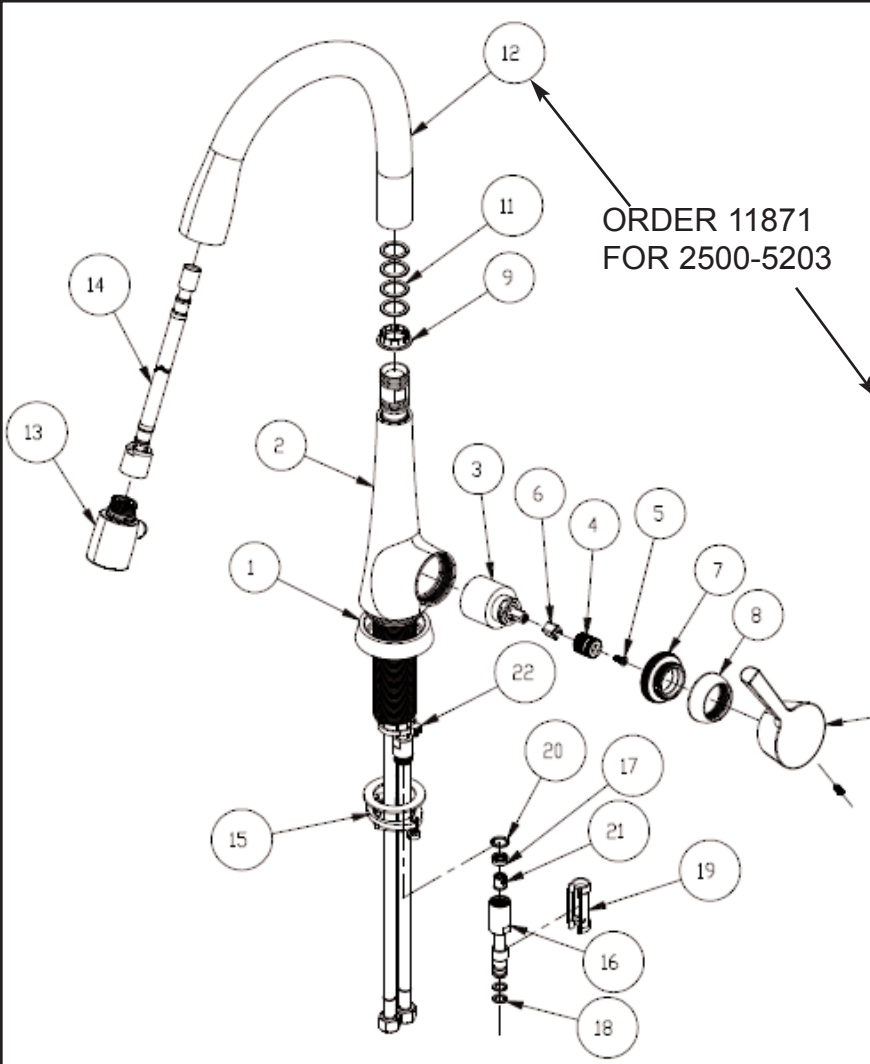


Figure 5



BILL OF MATERIAL (CURRENT LEVEL)				
ITEM	PT/ASSY	DESCRIPTION	TYPE	QTY.
1	2-784	BASE RING ASM	ASSEMBLY	1
2	2-791	MAIN BODY ASM , VESSA	ASSEMBLY	1
3	1-064	SINGLE LEVER CARTRIDGE	PART	1
4	11713	CARTRIDGE STEM ADAPTER	PART	1
5	92035	SCREW- FLT HD M4 X .7 X 10mm	PART	1
6	91534	CARTRIDGE STEM INSERT	PART	1
7	11714	CARTRIDGE RETAINER	PART	1
8	11715	CARTRIDGE CAP	PART	1
9	91540	SWIVEL SLEEVE, BOTTOM	PART	1
10	2-790	HANDLE ASM	ASSEMBLY	1
11	91030	O-RING #2-115	PART	4
12	11850	SPOUT, SMALL-VESSA	PART	1
13	3-421	SPRAY HEAD, VESPERA-PREP	ASSEMBLY	1
14	11817	HOSE, PULLDOWN SWIVEL	ASSEMBLY	1
15	1-256	MOUNTING KIT	ASSEMBLY	1
16	11876	OUTLET ADAPTER, LOWER	PART	1
17	11956	FLOW REGULATOR, 1.75 GPM, LIGHT BLUE	PART	1
18	91255	O-RING, (PARKER #2-011)	PART	2
19	91568	RETAINER CLIP	PART	1
20	91018	O-RING (#2-013)	PART	1
21	5-050	CHECK VALVE, NEOPERL DW10, WHITE	PART	1
22	91341	ZIP TIE	PART	1

Figure 6 - Spare Parts