

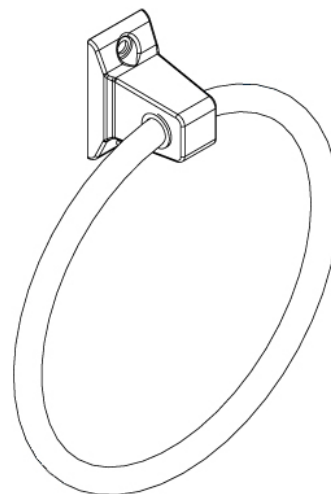
Metal Towel Ring

Model: BE2-30

Features

- Material: Zinc Die-cast
- Exposed Screw Surface Mount Application
- Provided with
 - Plastic Anchors x 2
 - Steel Phillips Head Screws #8 x 1-1/4"
- Projection: 1-5/8" from Mounting Surface
- Overall Size: 6" x 7"
- Ring: 6" Diameter

Edison Collection



Available Finish:

- Chrome
- Polished Brass

