

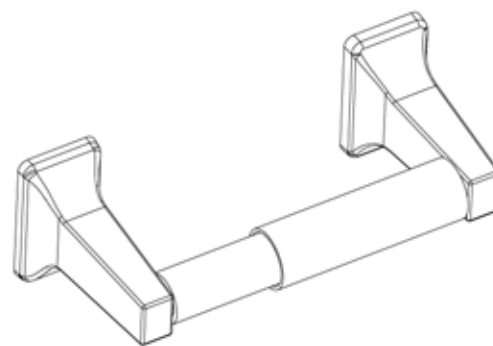
Surface Paper Holder

Model: BC3-42

Features

- Material: Zinc Die-cast
- Concealed Surface Mount Application
- Provided with
 - Mounting Plate: 1-3/4" x 1"
 - Plastic Anchors x 4
 - Steel Phillips Head Screws #8 x 1-1/4"
- Projection: 3-1/8" from Mounting Surface
- Spring Load Plastic Paper Holder Roller
7/8" Diameter x 6"
- Overall Size: 7-1/8" x 2-1/4"

Corona
Collection



Available Finish:

- Chrome
- Polished Brass
- Satin Nickel

