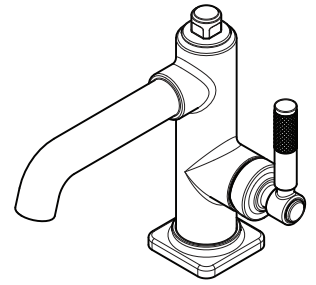


- LG42-HLSB Finish(B)
- LG42-HLSBG Finish(BG)
- LG42-HLSC Finish(C)
- LG42-HLSD Finish(D)



## Specifications

- All Metal Construction

### Features

- 1.2 GPM Flow Rate
- All Metal Construction
- 1-Hole Installation
- All Metal Push & Seal™ Drain
- Mounting Hardware Included
- Concealed Screws
- Supply Lines Not Included
- Pfaster Connect™
- Ultra Seal™ Ceramic Disc Valve
- Limited Lifetime Warranty

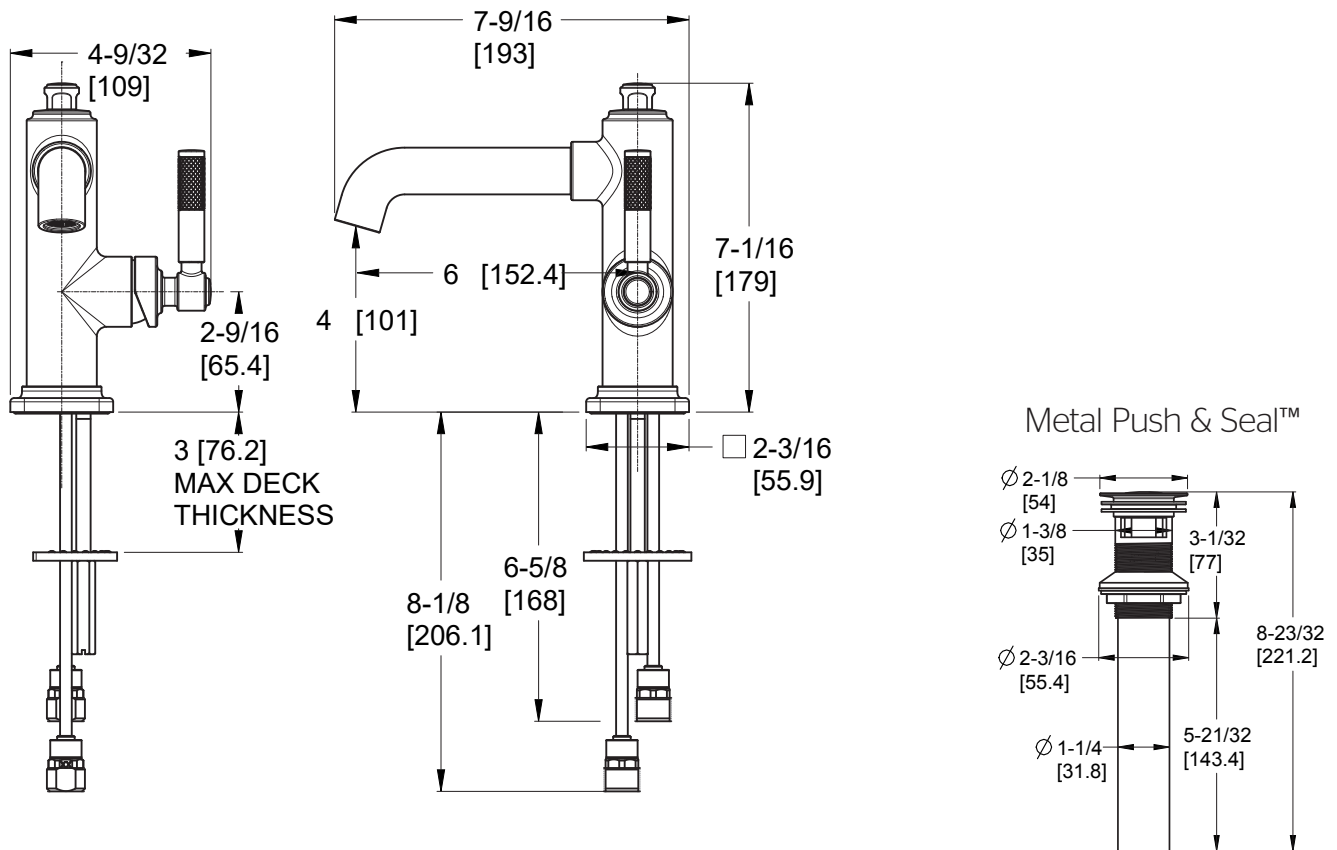
### Code Compliance

Pfister products are designed and manufactured in compliance with the following standards and codes:

- IAPMO Certified to ASME A112.18.1/CSA B125.1
- NSF 61/9 AnnexG Certified
- EPA WaterSense Certified
- CEC Certified/CALGreen compliant
- ADA Compliant - ANSI A117.1 (Lever Handles Only)



## Dimensions



Ø1 Min to Ø1-1/2 Max. Deck Hole Openings