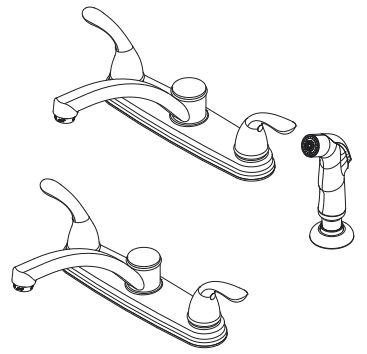


Delton™ Kitchen Faucet

- F-035-3THC Finish(C)
- F-035-3THS Finish(S)
- F-035-4THC Finish(C)
- F-035-4THS Finish(S)



Specifications

- Single Control
- 2 or 4-Hole Installation
- Pforever Seal

Features

- 2.2 GPM Flow Rate
- 2 or 4-Hole Installation
- Swivel Spout
- Includes Matching Side Spray (4TH Only)
- Mounting Hardware included
- Pforever Seal Ceramic Disc Valve
- Pforever Warranty®

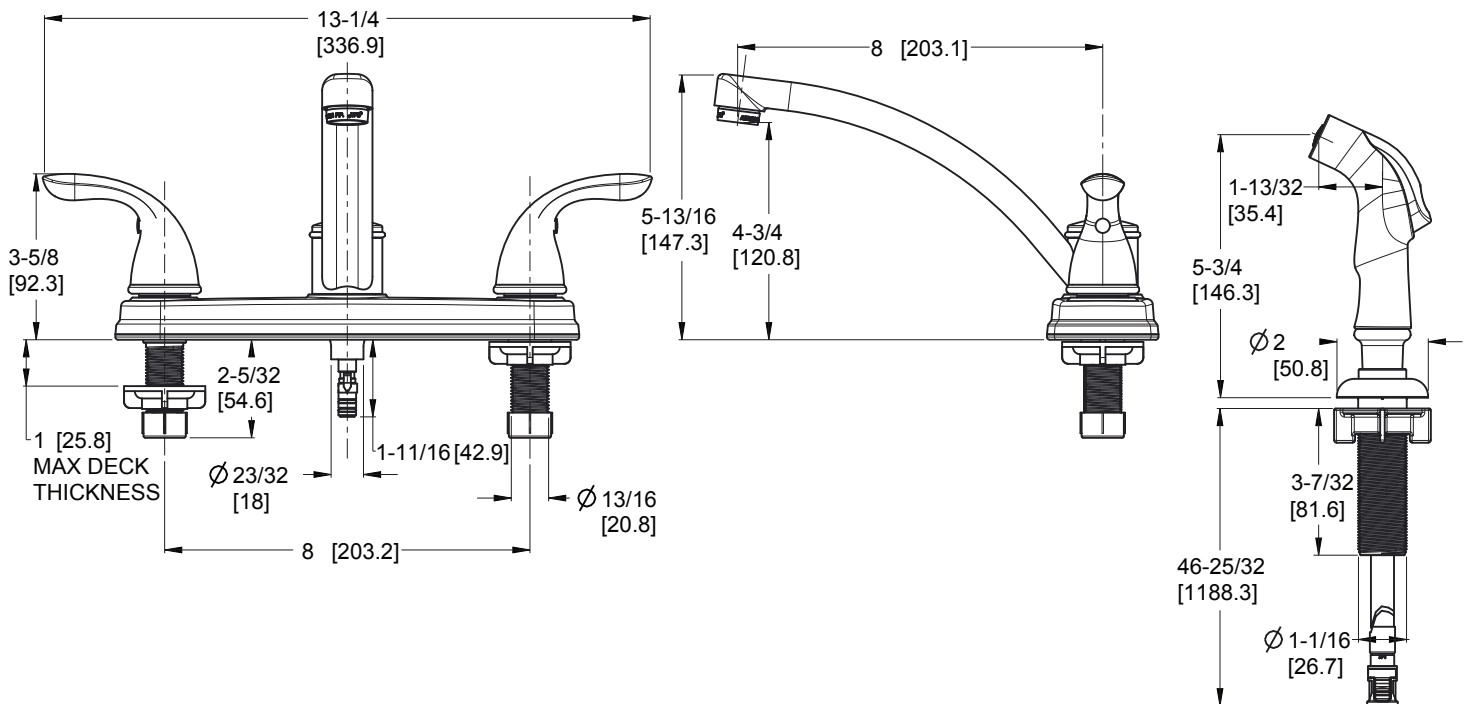
Code Compliance

Pfister products are designed and manufactured in compliance with the following standards and codes:

- IAPMO Certified
- CSA B125 Certified
- ASME A112.18.1
- NSF 61/9 Annex G (Low lead)
- ADA Compliant-ANSI A117.1 (Lever handles only)



Dimensions



Ø1-3/8 Min to Ø1-1/2 Max. Deck Hole Openings