



Model 04235

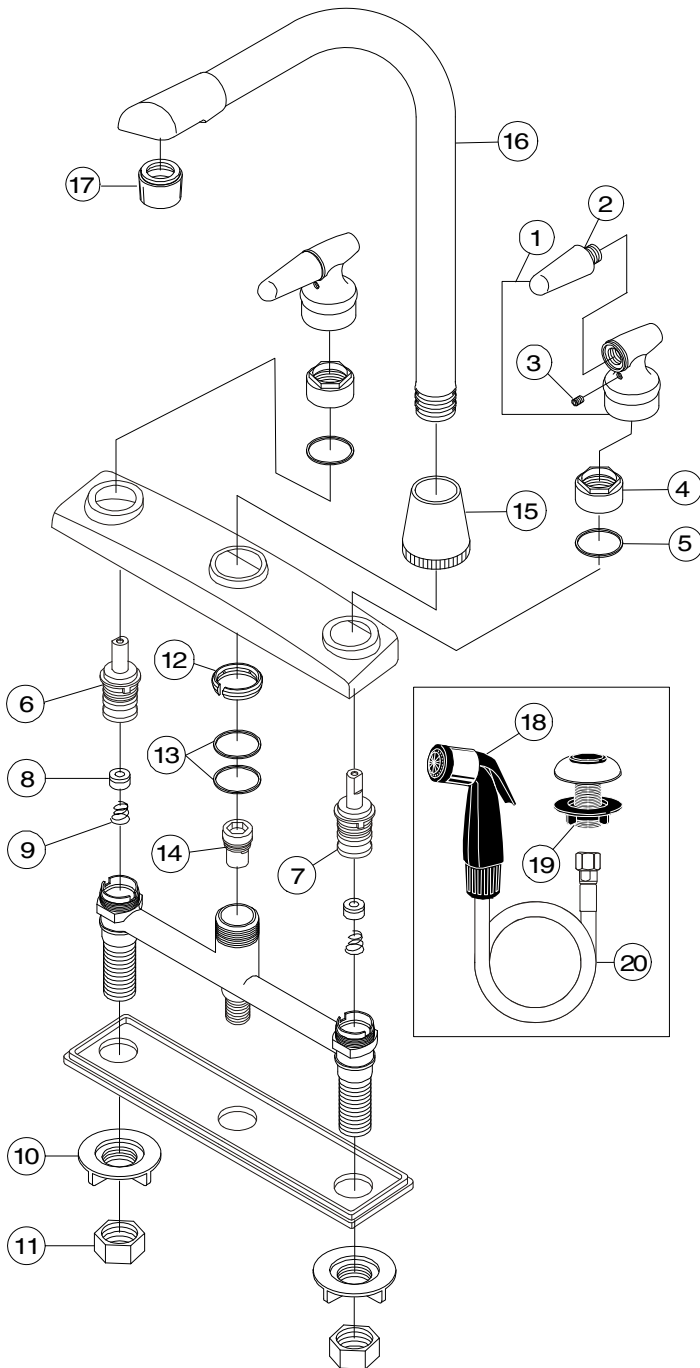
Twin Lever Handle Hi-Rise Kitchen Faucet
Chrome Plated Finish
With Spray
1/2" IPS Connection

CONCORD™



Model 04235

Refer to Premier Faucet Parts List Sheet for part numbers and ordering information.



For additional information contact Premier Faucet at 866-745-4010 or visit our website at www.premierfaucet.com

**Model 04235**

Twin Lever Handle Hi-Rise Kitchen Faucet
 Chrome Plated Finish
 With Spray
 1/2" IPS Connection

CONCORD™

Model 04235

Refer to Premier Faucet Parts Schematic Sheet for parts diagram.

INDEX	DESCRIPTION	MATERIAL	QTY	PART NO
1	HANDLE ASSEMBLY	ZINC	2	994123
2	HANDLE INSERT	PLASTIC	2	994191
3	HANDLE SCREW	STAINLESS STEEL	2	994186
4	BONNET NUT	ZINC	2	994316
5	CAP GASKET	PE	2	994515
6	CARTRIDGE - HOT	PLASTIC	1	163407
7	CARTRIDGE - COLD	PLASTIC	1	163406
8	SEAT WASHER	RUBBER	2	133398
9	SPRING	STAINLESS STEEL	2	133400
10	LOCK NUT	PLASTIC	2	133836
11	COUPLING NUT	BRASS	2	133838
12	SPLIT RING	POM	1	994547
13	O-RING	RUBBER	2	994532
14	SPRAY DIVERTER	POM	1	994114
15	SPOUT COLLAR	ZINC	1	994499
16	HI-RISE SPOUT	BRASS TUBE	1	994461
17	AERATOR	BRASS	1	144005
18	SPRAYER	PLASTIC	1	80641
19	SPRAY CRADLE	PLASTIC	1	153026
20	SPRAY HOSE	PVC	1	153185