



Description

- Twin acrylic handle washerless lavatory faucet
- European styling
- Chrome plated metal housing
- Cast brass waterway
- 4" center set
- 1/2" Brass IPS connections with brass coupling nuts
- Internal parts are interchangeable with genuine Delta® repair parts

Performance

- Designed to provide 2.2 GPM at 60 PSI

Compliance

- Designed to comply with requirements of ASME A112.18.1
- Meets low lead requirements of NSF Standard- 61, Section- 9
- Meets low lead requirements of California Proposition- 65
- Complies with the requirements of the UPC (Uniform Plumbing Code)
- Meets or exceeds CSA B125

Listings

- IAPMO (International Association of Plumbing & Mechanical Officials)
- cUPC (Uniform Plumbing Code & Canadian Uniform Plumbing Code)
- CSA (Canadian Standards Association)

Warranty

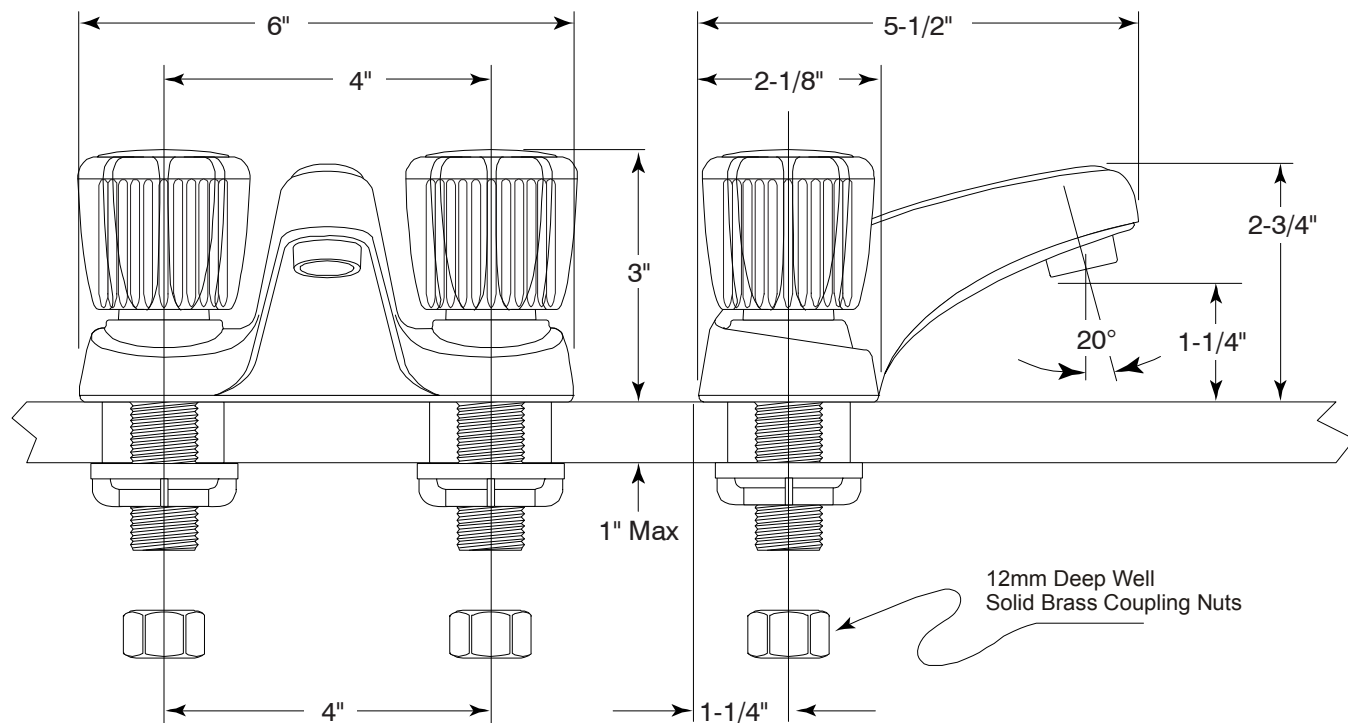
- Limited Lifetime Warranty
Refer to Premier Faucet warranty program for further details and restrictions.

Bayview™



Model 120168

Twin Acrylic Handle Lavatory Faucet
 Chrome Plated Finish
 Less Pop-Up
 1/2" IPS Connection



All Dimensions Are Nominal

For additional information contact Premier Faucet at 866-745-4010 or visit our website at www.premierfaucet.com