



# CERAMIC KITCHEN FAUCET SPECIFICATIONS

Model 120451

## Description

- Oil Rubbed Bronze
- 1/2" IPS Connections
- With Matching Sprayer
- Quality Brass Construction
- Single Handle Hot & Cold Control
- Wear Resistant Ceramic Disc Technology
- Four Hole Mounting

## Compliance

- Designed to comply with requirements of ASME A112.18.1
- Meets low lead requirements of NSF Standard-61, Section-9
- Complies with the requirements of the UPC (Uniform Plumbing Code)
- Complies with ADA (Americans with Disabilities Act)
- Meets or exceeds CSA B125

## Listings

- IAPMO (International Association of Plumbing & Mechanical Officials)
- cUPC (Uniform Plumbing Code & Canadian Uniform Plumbing Code)

## Warranty

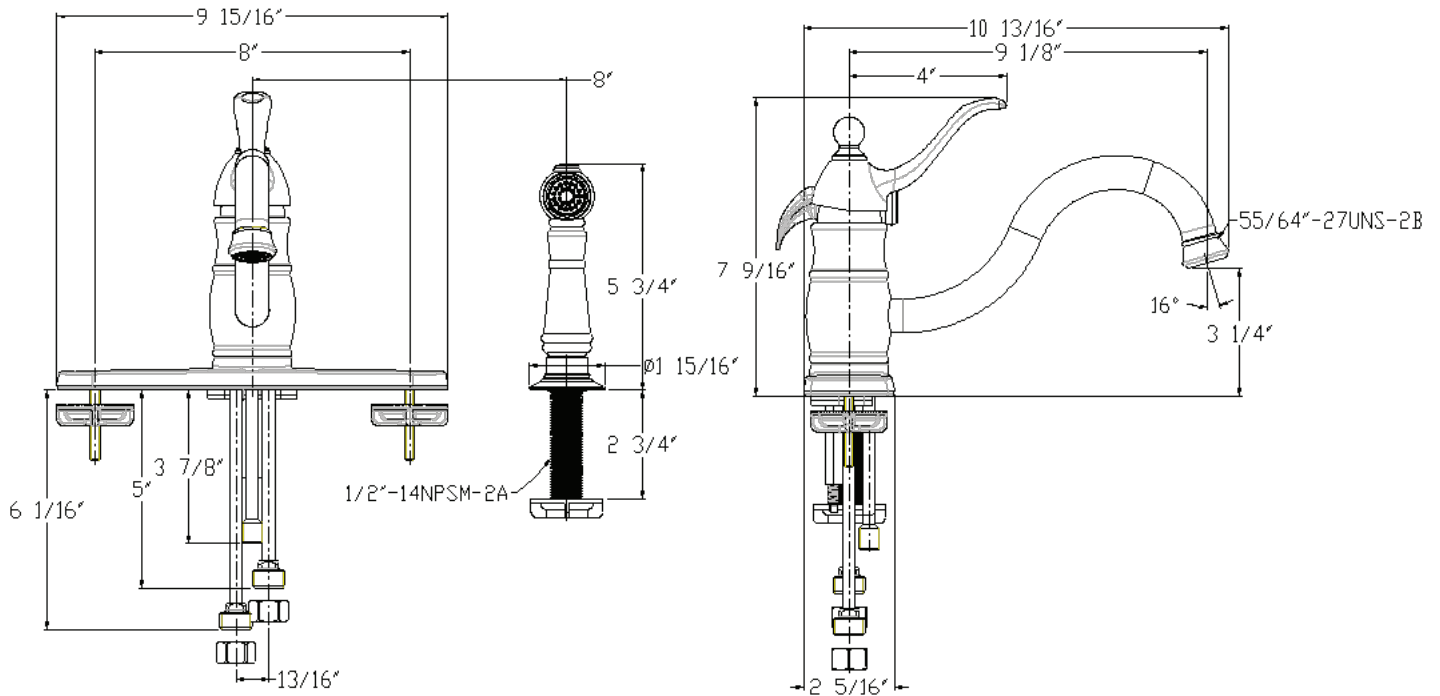
- Limited Lifetime Warranty  
Refer to Premier Faucet warranty program for further details and restrictions.

# SONOMA™



## Model 120451

Single Lever Handle Kitchen Faucet  
 Oil Rubbed Bronze  
 Ceramic Cartridge  
 With 521 Metal Side Spray  
 1/2" IPS Connection



For additional information contact Premier Faucet at 866-745-4010 or visit our website at [www.premierfaucet.com](http://www.premierfaucet.com)