

PF1112MCP

Two Handle Widespread Lavatory Faucets



Product Features

- 1/4 turn design with ceramic disc cartridge
- 8" - 16" centers
- Solid brass construction
- 1/2" IPS connections
- Decorative style lever handles
- ADA and UFAS compliant metal handles
- 2.0 GPM water saving aerator
- NSF/ANSI Std. 61 compliant



PF1112MCP

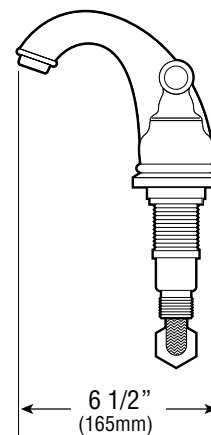
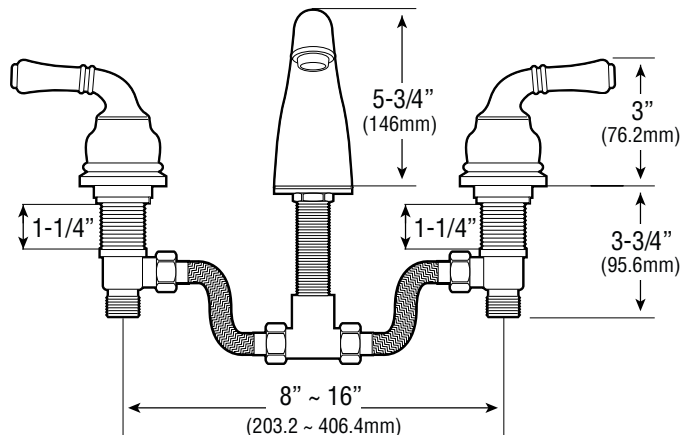
Model Numbers

- PF1112MCP Chrome
- PF1112MPB PVD polished brass
- PF1112MCPB Chrome/brass
- PF1112MBN Brushed nickel

Available Parts

- PFBPUCPChrome pop-up drain assembly
- PFPUPVDPBPVD polished brass pop-up drain assembly
- PF141564PKHot ceramic cartridge for PF1112M
- PF141565PKCold ceramic cartridge for PF1112M
- PF141567PKChrome decorative lever handle insert (pair)
- PF141568PKPolished brass decorative lever handle insert (pair)
- PF148426Brushed nickel pop-up drain assembly

Product Specifications



Warranty and Codes

This product comes complete with installation, operating, care and maintenance instructions. This PROFLO faucet carries a limited lifetime warranty. This product meets ANSI: A112.18.1M.

