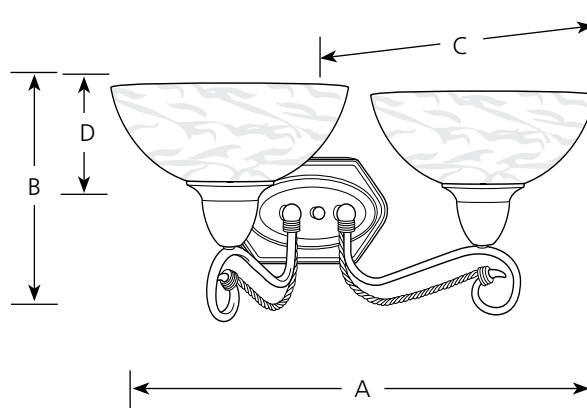


Type _____
 -09 -20
 P3270

Catalog No.	Finish		Lamping	Dimensions (Inches)			
	Brushed Nickel	Antique Bronze		A	B	C	D
P3270	-09	-20	2 (m) 100w	20-3/4	8-7/8	10-1/8	5-1/8



Specifications:

General

- 8-3/4" dia. x 3-3/4" tall, 1-3/4" dia. center hole
- Etched watermark glass shades
- Concealed shade retainment
- Scroll arm with wound and twisted wire accents
- Can be mounted in "up" or "down" position
- Plated brushed nickel (-09) or antique bronze (-20) finishes
- Steel construction
- Companion fixtures: Hall and foyer, chandeliers, pendants, wall brackets, close to ceiling, and bath and vanity

Mounting

- Backplate is 8" W x 4-1/2" T x 1" deep
- Wall mount
- Back plate covers a standard recessed 4" octagonal outlet box
- Mounting strap for outlet box included

Electrical

- Pre-wired
- Medium based ceramic sockets

Labeling

- UL-CUL damp location listed