

Type _____

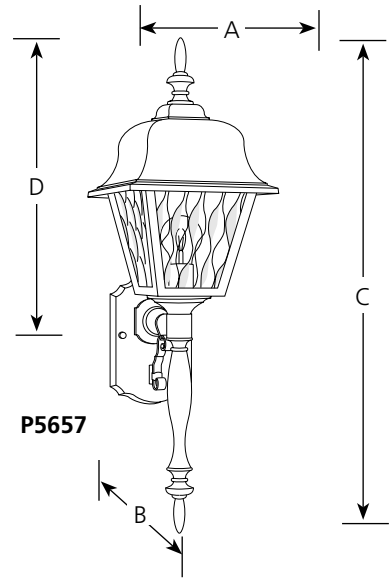
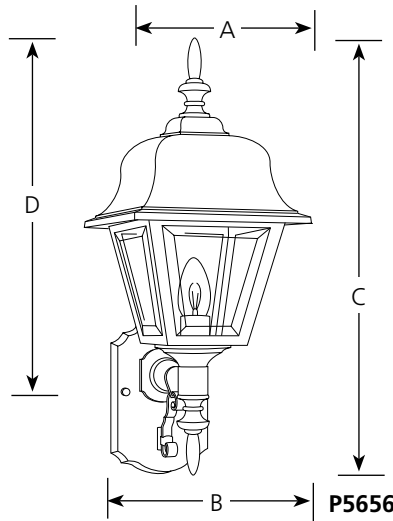
-30 -31

P5656

Finish

Dimensions (Inches)

Catalog No.	White	Black	Lamping	A	B	C	D
P5656	-30	-31	1-100w A19	8	9	20	15
P5657	-30	-31	1-100w A19	8	9	25	15



Specifications:

General

- White (-30) or Black (-31) finishes
- Clear beveled acrylic panels
- Polypropylene construction
- Captive hinged top for relamping
- Matching ceiling mounted units available

Mounting

- Wall mount
- Covers outlet box
- Mounting strap for outlet box and cap nuts finished included
- Backplate 4-1/2" W., 7" ht.

Electrical

- Medium based sockets
- Porcelain with nickel-plated brass screw shell

Labeling

- UL-CUL wet location listed