



RYLE 4-WAY THERMOSTATIC VALVE

INSTALLATION INSTRUCTIONS

Before you begin, read the installation instructions below. Observe all local building and safety codes.

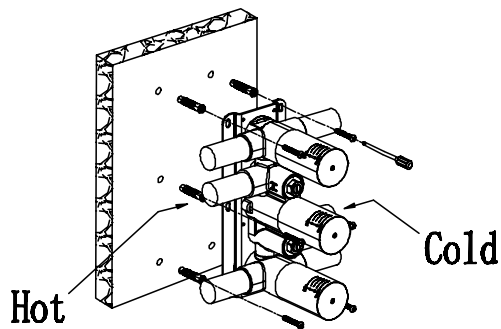
Unpack and inspect the product for any shipping damages. If you find damages, do not install. Contact Customer Service at 1.855.715.1800. If you need assistance or have questions while installing your diverter valve, contact Customer Service.

We recommend consulting a professional if you are unfamiliar with installing bathroom fixtures, and plumbing. Signature Hardware accepts no liability for any damage to the plumbing or wall, or for personal injury during installation.

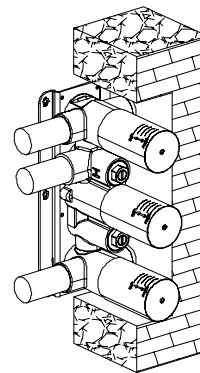
TOOLS AND MATERIALS:

Screwdriver

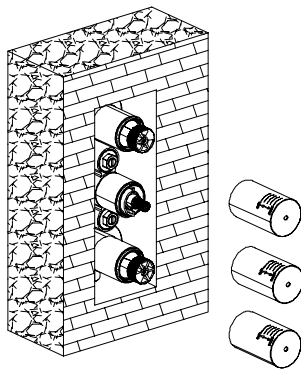
INSTALLATION



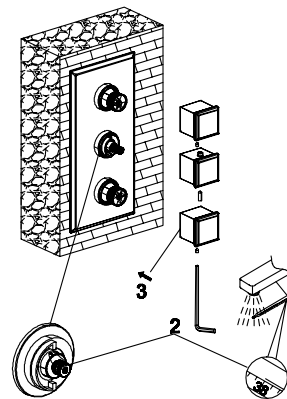
1. Install the valve body. Wrap the threaded portion of the joints in Teflon tape and connect the water inlet and outlet.



2. Put the protective covers on the valve body and finish the shower wall.



3. When the finished wall is complete, remove the protective covers.



4. Install the escutcheon, and handle. Tighten the set screw with an Allen wrench to secure.



PARTS LIST:

1	DS12525000100
2	OXQ21020
3	SD12525070300
4	FX0710
5	SD12825101000
6	SD12525010600
7	SD12525000700
8	SD10110000200
9	M0404012
10	SD12525000900
11	FX0840
12	M0304018
13	M1204064
14	SD12525001300
15	SD12525001400
16	SD12525001500
17	SD12525001600
18	SD12525001700
19	OXQ10010
20	SD12525001900
21	OXQ24020
22	SD12525002100
23	SD12525002200
24	SD12525032400
25	M1206097
26	M0306010
27	H156-2500D
28	H156-2500T
29	OXQ48030
30	SD15625033000

