

NEW YORK WIDESPREAD BATHROOM FAUCET - LEVER HANDLES

SKU: 918899

Code: SH338430, SH338428, SH434902, SH434906



FEATURES

Material: Metal construction for strength and durability

Installation Type: Widespread

Flow Rate: 1.2 gpm (4.5 L/min) @ 60 psi

Cartridge Type: Ceramic Disc

Swivel Spout: No

Drain Type: Lift rod metal pop-up with overflow

ASME A112.18.1/CSA B125.1, NSF/ANSI 372, NSF/ANSI 61, NSF/ANSI/CAN 61, NSF/ANSI/CAN 61-9:Q≤1, CEC Listed, LISTED ID: SH449733**



ADDITIONAL FEATURES

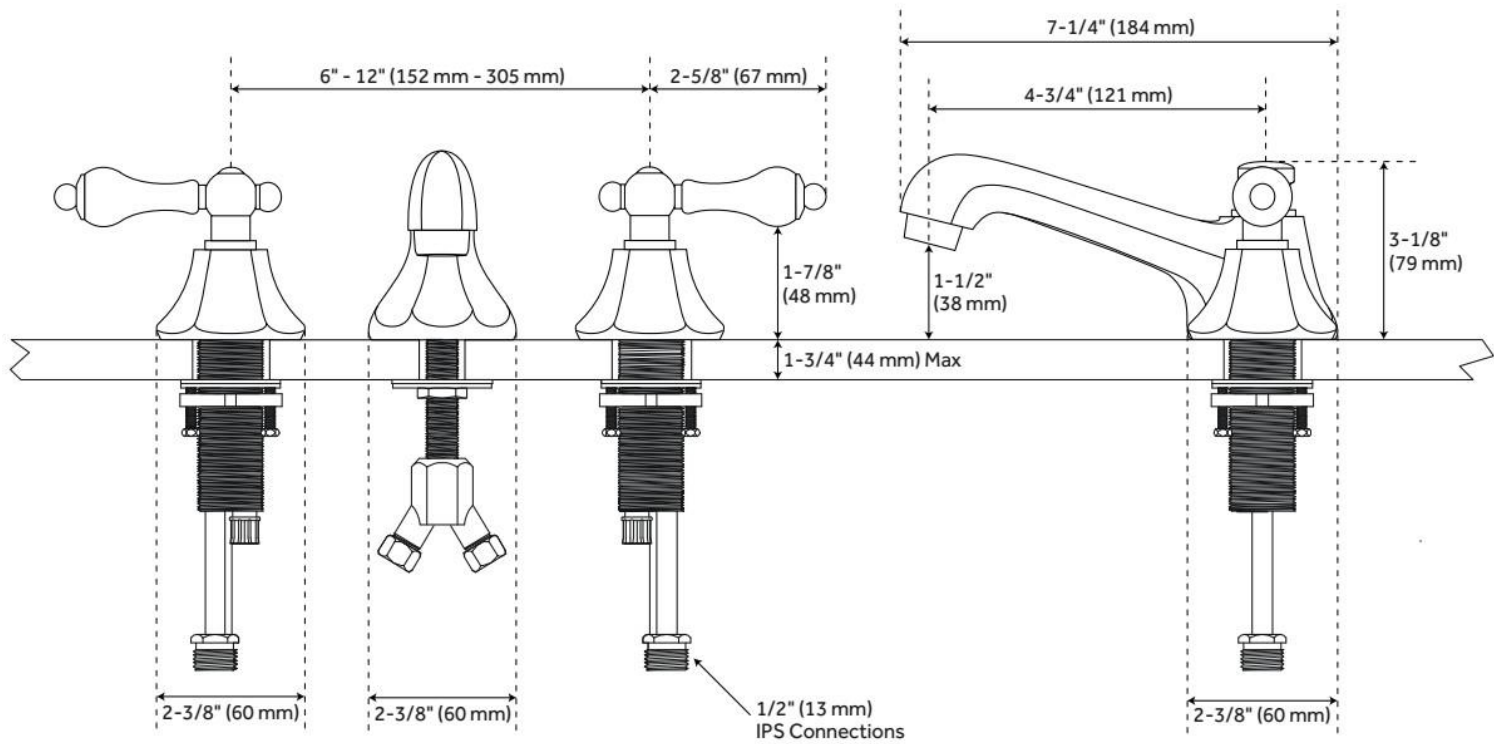
- Faucet can be installed with variable centers from 6" - 12".

REVISED 5/21/2024

NEW YORK WIDESPREAD BATHROOM FAUCET - LEVER HANDLES

SKU: 918899

Code: SH338430, SH338428, SH434902, SH434906



REVISED 5/21/2024