

Act-O-Matic Shower Head AC-51



► Description

Act-O-Matic, Chrome Plated, Self-Cleaning Shower Head.

► Flow Rate

2.5 gpm/9.4 Lpm maximum

► Specifications

- Act-O-Matic, Chrome Plated Shower Head with the following features:
- Spring loaded, Self-Cleaning Spray Disk to prevent particle clogging
- "Cone-within-a-cone" Spray Pattern for total body coverage
- Pressure Compensating 2.5 gpm/9.4 Lpm Flow Control
- All Brass Construction
- Universal Ball Joint
- 1/2" I.P.S. Inlet

Shower Head shall be in conformance to all requirements of ANSI/ASME Standard A112.18.1M, CSA B-125 and the United States Federal Energy Policy Act.

► Variations

YC Spray Arm with Set Screw Flange

► Finishes

PB Polished Brass

LG Luster Gold (24k)

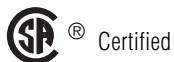
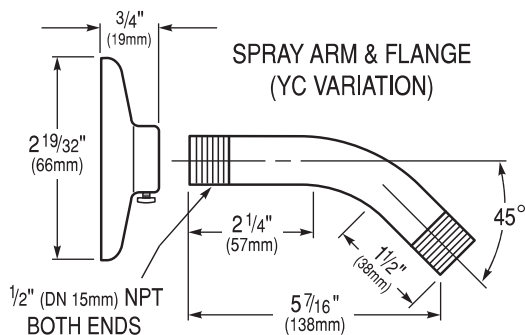
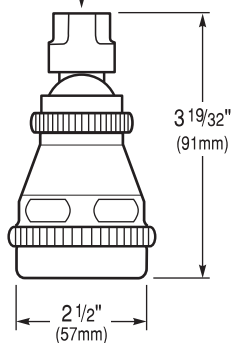
AB Antique Brass

SF Satin Finish

NOTE: Shower Head available with 1/2" Whitworth Thread (please specify).

See Accessories Section of the Sloan catalog for details on these and other Shower Head variations.

1/2" (DN 15mm) NPT



This space for Architect/Engineer approval

The information contained in this document is subject to change without notice.

Made in the U.S.A.

SLOAN

SLOAN VALVE COMPANY • 10500 SEYMOUR AVE. • FRANKLIN PARK, IL 60131
PHONE: 1-800 982-5839 • FAX: 1-800 447-8329 • <http://www.sloanvalve.com>