

Hydraulic Royal® Prison Model Flushometer

9609
9609-1.5
9609-1



► Description

Concealed Hydraulically Operated Urinal Flushometer, for 1½" back inlet urinals.

► Flush Cycle

- Model 9609 Conventional (3.5 gpf/13.2 Lpf)
- Model 9609-1.5 Water Saver (1.5 gpf/5.7 Lpf)
- Model 9609-1 Low Consumption (1.0 gpf/3.8 Lpf)

► Specifications

Quiet, Concealed, Diaphragm Type, Rough Brass Urinal Flushometer for either left or right hand supply with the following features:

- Dual Filtered By-Pass
- Diaphragm, Handle Packing, Stop Seat and Vacuum Breaker to be molded from PERMEX™ rubber compound for Chloramine resistance
- ADA Compliant Non-Hold-Open feature type Actuator (**specify Actuator type listed below**)
- 1" I.P.S. Wheel Handle Bak-Chek™ Angle Stop
- Adjustable Tailpiece
- High Back Pressure Vacuum Breaker
- Elbow Flush Connection
- Coupling for 1½" NPT Back Inlet Urinals (for connection in the pipe chase - flush connection through the wall not provided by Sloan)
- Sweat Solder Adapter
- Exposed parts Chrome Plated

Valve Body, Cover, Tailpiece and Control Stop shall be in conformance with ASTM Alloy Classification for Semi-Red Brass. Valve shall be in compliance to the applicable sections of ASSE 1037, ANSI/ASME 112.19.6, and Military Specification V-29193.

► Actuator Types: (please check one)

- MBFW** Metal Button Fixture Wall Actuator (HY-100-A) (rear access)
- MBPM** Metal Button Panel Mount (HY-108-A) for use only with Wall Box

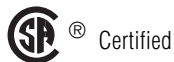
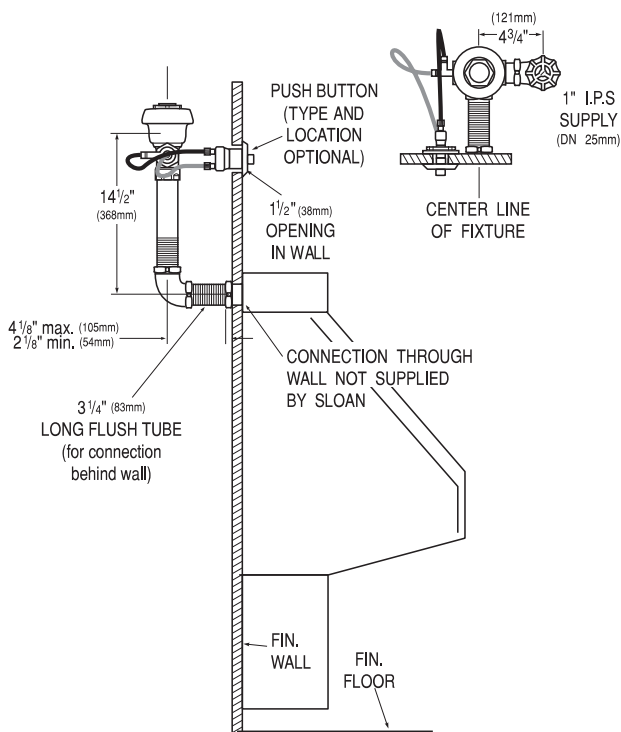
See Actuator Section of the Sloan catalog for details on Actuators.

► Variations

- U** 1¼" Flush Connection

Prison Flushometers can also be provided in Regal® Models. All rough-in dimensions remain the same.

See Accessories Section of the Sloan catalog for details on these and other Flushometer variations.



Listed by I.A.P.M.O.

This space for Architect/Engineer approval

The information contained in this document is subject to change without notice.

Made in the U.S.A.

SLOAN®

SLOAN VALVE COMPANY • 10500 SEYMOUR AVE. • FRANKLIN PARK, IL 60131
PHONE: 1-800 982-5839 • FAX: 1-800 447-8329 • <http://www.sloanvalve.com>