

Regal® Prison Model 609 Flushometer

609

609, 609-1.5, and 609-1 Models



Description

Concealed Urinal Regal® Model Flushometer, for 1½" back inlet urinals.

Flush Cycle

- Regal® Model 609 Conventional (3.5 gpf/13.2 Lpf)
- Regal® Model 609-1.5 Water Saver (1.5 gpf/5.7 Lpf)
- Regal® Model 609-1 Low Consumption (1.0 gpf/3.8 Lpf)

Specifications

Quiet, Concealed, Diaphragm Type, Rough Brass Urinal Flushometer for either left or right hand supply with the following features:

- Metal Non-Hold-Open Push Button
- 1" I.P.S. Wheel Handle Bak-Chek™ Angle Stop
- Adjustable Tailpiece
- Vacuum Breaker
- Elbow Flush Connection and Coupling for 1½" NPT Back Inlet (for connection in the pipe chase - flush connection through the wall not provided by Sloan)
- Low Consumption flush accuracy controlled by Para-Flo™ Inside Parts Kit
- Handle Packing, Stop Seat and Vacuum Breaker to be molded from PERMEX™ rubber compound for Chloramine resistance
- Exposed parts Chrome Plated

Valve Body, Cover, Tailpiece and Control Stop shall be in conformance with ASTM Alloy Classification for Semi-Red Brass. Valve shall be in compliance to the applicable sections of ASSE 1037, ANSI/ASME 112.19.6, and Military Specification V-29193.

L Dimension

Specify the "L" Dimension for the proper length of the Push Button Assembly. The "L" Dimension is equal to the Wall Thickness (to the nearest whole inch) plus 2¾".

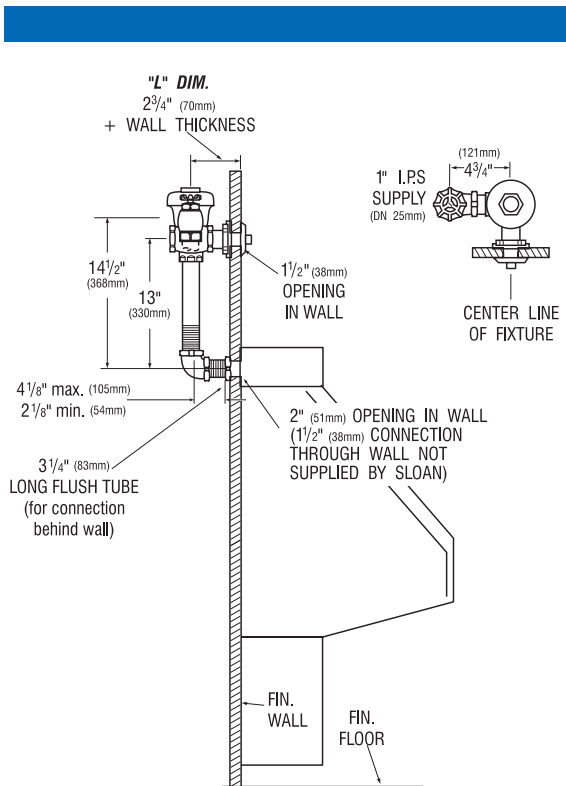
Variations

- U** 1¼" Flush Connection
- ES** Solenoid Operated (specify 24 VAC or 120 VAC)
- ESM** Solenoid Operated with Modular Plug for use with Sloan PWT Systems (24 VAC only)
- WB** For installation with Sloan Easy Access® Wall Box
- YB** Sweat Solder Adapter

► For Hydraulic Operation use Flushometer Model 9609.

► Prison Flushometers can also be provided in Royal® and/or Naval® Models. All rough-in dimensions remain the same.

See Accessories Section of the Sloan catalog for details on these and other Flushometer variations.



Certified



Listed by I.A.P.M.O.

Made In The
USA

This space for Architect/Engineer approval

The information contained in this document is subject to change without notice.

SLOAN

Made in the U.S.A.

SLOAN VALVE COMPANY • 10500 SEYMOUR AVE. • FRANKLIN PARK, IL 60131
PHONE: 1-800 982-5839 • FAX: 1-800 447-8329 • <http://www.sloanvalve.com>