

MODEL PV-POWERVENT

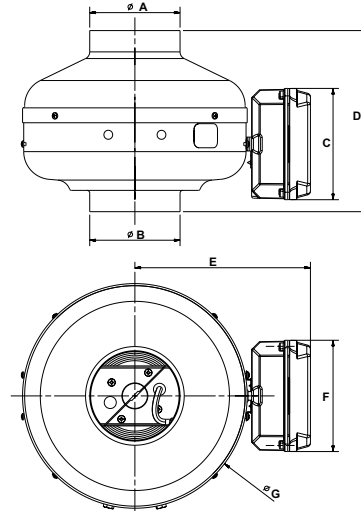
For High Static Pressure Applications



The World's Leading Producer of
Air Movement Products
 6393 Powers Avenue
 Jacksonville, Florida 32217
 P: 800.961.7370 F: 800.961.7379
 www.solerpalau-usa.com

Dimensions in inches/mm

Model	A	B	C	D	E	F	G	Weight lbs(kgs)
PV-100	3 ¹³ / ₁₆ 97.5	3 ¹³ / ₁₆ 97.5	4 ³ / ₄ 120	7 ¹¹ / ₁₆ 196	7 ¹ / ₂ 190	4 ³ / ₄ 120	9 ⁹ / ₁₆ 243	7 3.0
PV-100x	3 ¹³ / ₁₆ 97.5	3 ¹³ / ₁₆ 97.5	4 ³ / ₄ 120	7 ¹¹ / ₁₆ 196	7 ¹ / ₂ 190	4 ³ / ₄ 120	9 ⁹ / ₁₆ 243	7 3.0
PV-125	4 ¹³ / ₁₆ 122.5	4 ¹³ / ₁₆ 122.5	4 ³ / ₄ 120	7 ¹³ / ₁₆ 198	7 ¹ / ₂ 190	4 ³ / ₄ 120	9 ⁹ / ₁₆ 243	7 3.0
PV-125x	4 ¹³ / ₁₆ 122.5	4 ¹³ / ₁₆ 122.5	4 ³ / ₄ 120	7 ¹³ / ₁₆ 198	7 ¹ / ₂ 190	4 ³ / ₄ 120	9 ⁹ / ₁₆ 243	7 3.0
PV-150	5 ¹³ / ₁₆ 147	5 ¹³ / ₁₆ 147	4 ³ / ₄ 120	8 ⁷ / ₁₆ 214	9 ⁵ / ₁₆ 236	4 ³ / ₄ 120	13 ¹ / ₈ 334	11 5.0
PV-150x	5 ¹³ / ₁₆ 147	5 ¹³ / ₁₆ 147	4 ³ / ₄ 120	8 ⁷ / ₁₆ 214	9 ⁵ / ₁₆ 236	4 ³ / ₄ 120	13 ¹ / ₈ 334	11 5.0
PV-200	7 ¹³ / ₁₆ 198	7 ¹³ / ₁₆ 198	4 ³ / ₄ 120	8 ³ / ₄ 223	9 ⁵ / ₁₆ 236	4 ³ / ₄ 120	13 ¹ / ₈ 334	11 5.0
PV-200x	7 ¹³ / ₁₆ 198	7 ¹³ / ₁₆ 198	4 ³ / ₄ 120	8 ³ / ₄ 223	9 ⁵ / ₁₆ 236	4 ³ / ₄ 120	13 ¹ / ₈ 334	11 5.0
PV-250	9 ³ / ₄ 248	9 ³ / ₄ 248	4 ³ / ₄ 120	8 ¹ / ₁₆ 205	9 ⁵ / ₁₆ 236	4 ³ / ₄ 120	13 ¹ / ₈ 334	13 6.0
PV-250x	9 ³ / ₄ 248	9 ³ / ₄ 248	4 ³ / ₄ 120	8 ¹ / ₁₆ 205	9 ⁵ / ₁₆ 236	4 ³ / ₄ 120	13 ¹ / ₈ 334	13 6.0
PV-315	12 ⁵ / ₁₆ 312	12 ⁵ / ₁₆ 312	4 ³ / ₄ 120	9 ³ / ₁₆ 233	10 ⁹ / ₁₆ 269	4 ³ / ₄ 120	15 ¹³ / ₁₆ 401	21 10.0
PV-315x	12 ⁵ / ₁₆ 312	12 ⁵ / ₁₆ 312	4 ³ / ₄ 120	9 ³ / ₁₆ 233	10 ⁹ / ₁₆ 269	4 ³ / ₄ 120	15 ¹³ / ₁₆ 401	21 10.0



FAN DATA					
Fan No.	Qty.	Model No.	CFM	SP	RPM

For more information contact us at www.solerpalau-usa.com or 1.800.961.7370 for additional submittal drawings.

MOTOR DATA					
AMPS	RPM	VOLTS	PH	HZ	ENCLOSURE

Soler & Palau will not be responsible for fabrication changes or errors resulting from customer use of a non-current submittal drawing.

ACCESSORIES	1	2	3	4	5	REMARKS

PROJECT: _____ CONTRACTOR: _____
 LOCATION: _____ REVISION DATE: _____
 FORM NO.: _____ SUBMITTED BY: _____ DATE: _____
 ENGINEER: _____ APPROVED BY: _____ DATE: _____