

SPEAKMAN COMPANY

S-2520 Installation, Maintenance & Operation Instructions

SHOWER ARM AND FLANGE

DESCRIPTION

Speakman polished chrome plated brass 5-1/2" (140mm) shower arm. Stainless steel wall flange.

SPECIFICATIONS

1/2" NPT MALE INLET
1/2" NPT MALE OUTLET
SHIPPING WEIGHT: 0.4 LBS.

OPTIONS

◇ PB: Polish Brass

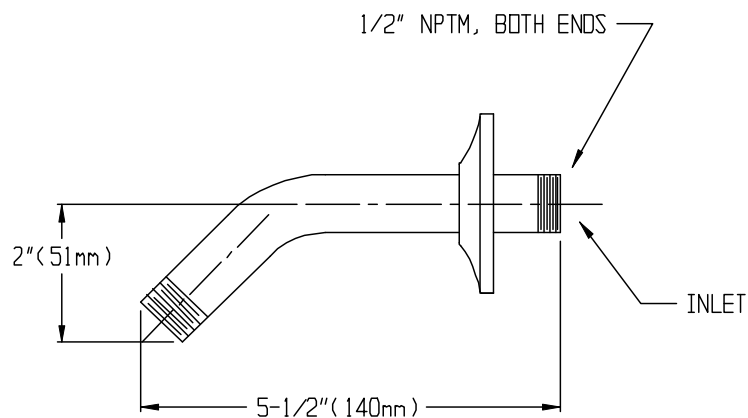
INSTALLATION

Slip wall flange onto shower arm. Apply teflon tape or pipe dope to male inlet threads and thread arm into piping behind wall. Wrench tighten. Slip wall flange flush to wall. Check connection for leaks.

MAINTENANCE

The gleaming finish of your SPEAKMAN S-2520 shower arm can be cleaned by using mild soap and warm water. Dry immediately with a soft, clean cloth for best results.

ROUGH-IN MEASUREMENTS



Product improvements may cause specification and dimensional changes without notice.

SPEAKMAN®

PO Box 191 Wilmington, DE 19899 Phone: 800-537-2107 Fax: 800-977-2747
Visit us on the web at www.speakmancompany.com

09/07
REV 1
92-1813