

Location:



Lavatory Faucet SLS-3612, SLS-3610

Specification Submittal



Model Numbers

- SLS-3612 Lavatory Faucet with pop-up drain
- SLS-3610 Lavatory Faucet only

Options / Modifications

Append appropriate -suffix to model number

- 0.5 0.5 (1.9 L/min) Flow rate restrictor
- 1.0 1.0 (3.8 L/min) Flow rate restrictor
- 1.5 1.5 (5.7 L/min) Flow rate restrictor
- NA Non-aerator, laminar flow
- IPS 1/2 inch IPS supply inlet adapters
- DP4 4 inch deck plate

Finish Options / Modifications

Append appropriate -suffix to model number

- STN Satin nickel finish
 - Polished chrome (standard finish)

Feature Highlights

- Single post lavatory faucet with quarter turn ceramic control components
- Single lever handle with red & blue hot/cold indicators
- Single hole deck mounting
- 4 inch deck plate (optional #DP4)
- Braided supply hoses
- Pop-up drain and lift rod assembly (model SLS-3612)
- Aerator with standard 1.5 gpm flow rate (5.7 L/min)
Optional aerator available in lower flow rates
- Metal construction
- Polished chrome finish (standard)

Standards / Certifications

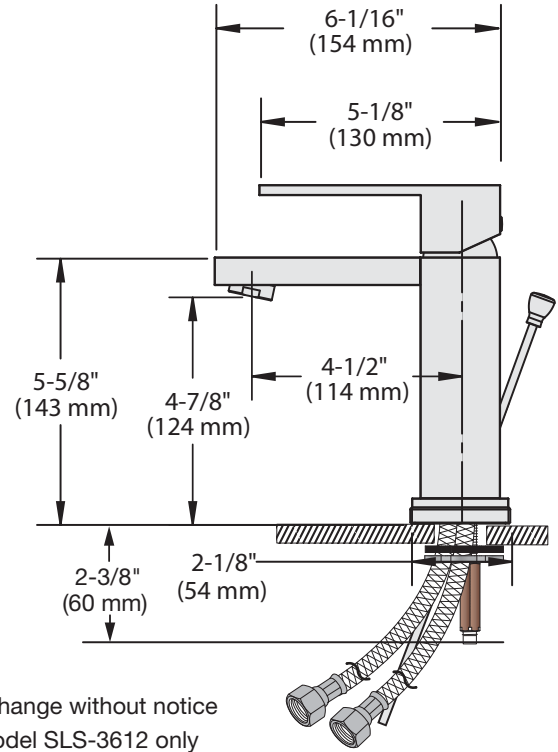
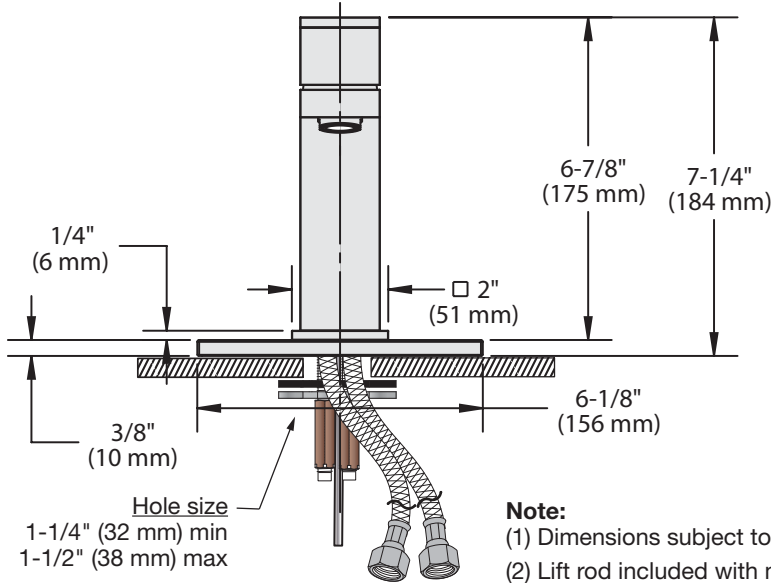
- ASME A112.18.1
- Lever handles ADA compliant
- AB1953/S.152/S.3874 Lead Free Compliant
- 1.5 gpm (5.7 L/min) WaterSense® Certified

Warranty

- Limited Lifetime - to the original end purchaser in consumer installations
- 5 years - for commercial installations

Dimensions Duro Lavatory Faucet, SLS-3612, SLS-3610

Model	Part No.
SLS-3612	LN-01297
SLS-3610	LN-01298



Note:
 (1) Dimensions subject to change without notice
 (2) Lift rod included with model SLS-3612 only