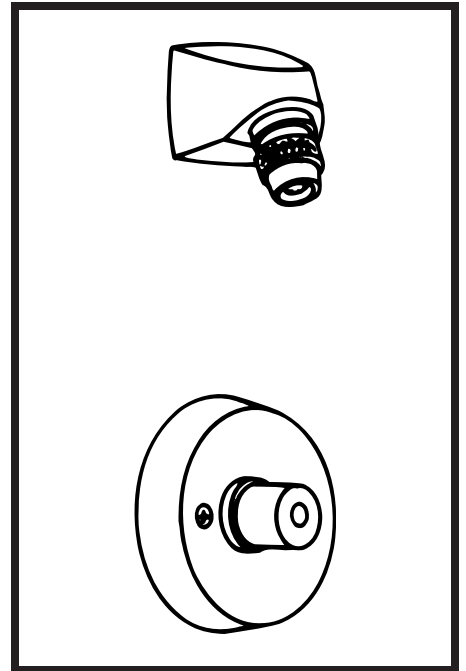


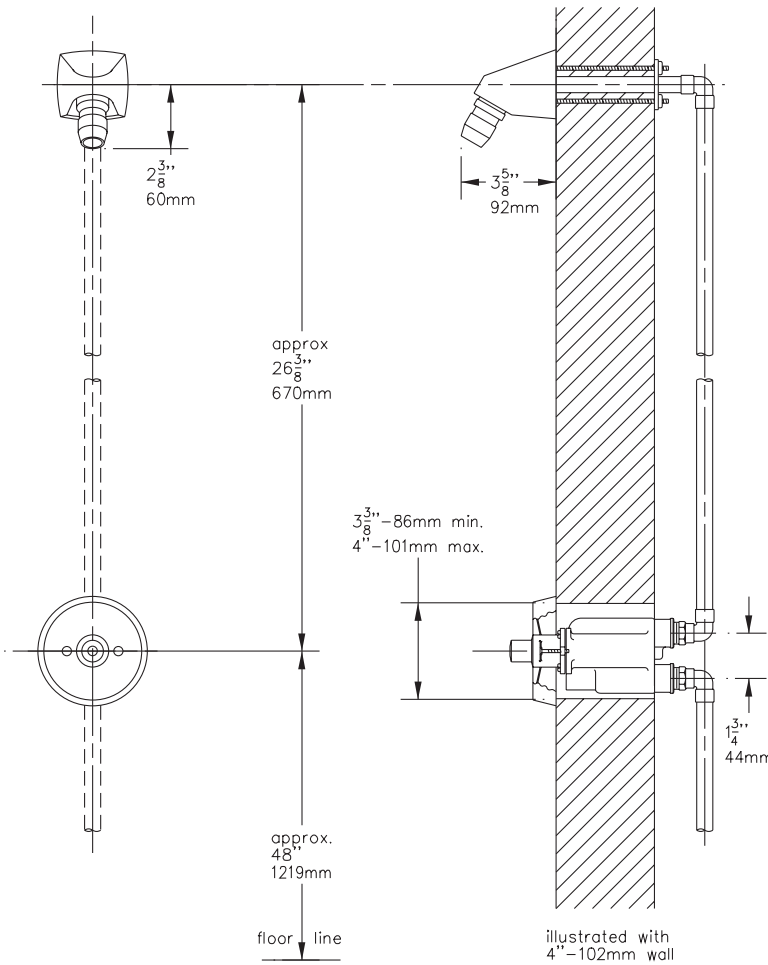
3-310 Showeroff® Shower System

Showeroff shower limiter valve with integral stop and 1/2" IPS back connections. Fre-Flo institutional shower head with adjustable spray. Nozzle-type design for maximum protection against hard water mineral build-up. Back plate and thru bolts for extra thick wall. All mounting fasteners for valve and head are vandal resistant recessed hex socket type.

Modifications:



**SYMMONS PRODUCTS MEET
ANSI A112.18.1M, EPA '92
AND ALL KNOWN FLOW RATE
REQUIREMENTS.
Shower Heads and Hand Showers
2.5 GPM (9.5 L/min)**



Job/Location

.....
.....

Engineer

.....
.....

Contractor

.....
.....

This drawing to be used for rough-in installation only. All floor to center dimensions optional. Concealed piping and fittings not furnished by manufacturer. For ADA compliance (Americans with Disabilities Act) consult ADAAG or your state regulations for proper product choice and mounting locations. For complete installation, adjustment and service information see installation instructions.

SYMMONS INDUSTRIES, INC.
31 Brooks Drive, Braintree, MA 02184-3804
TEL: 1-800-SYMMONS, (781) 848-2250 FAX: 1-800-961-9621, (781) 843-3849
Web site: www.symmons.com

