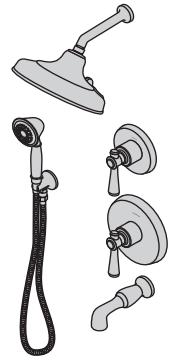





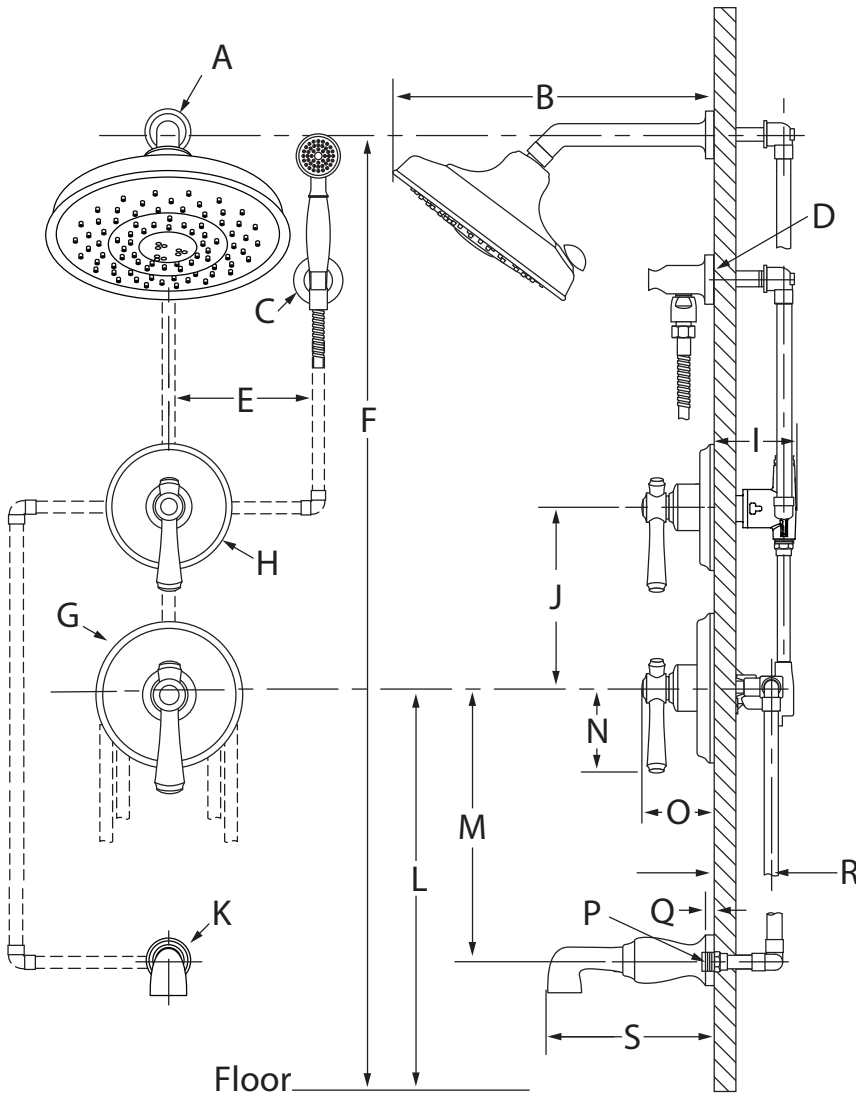


5403-TRM, 5405-TRM, 5406-TRM  
 Degas™ Trim Series  
 Operation & Maintenance Manual



Model Numbers	Specifications
<input type="checkbox"/> <b>5403-TRM</b> <i>Valve Trim with Hand Shower</i>  <input type="checkbox"/> <b>5405-TRM</b> <i>Shower Trim with Hand Shower</i>  <input type="checkbox"/> <b>5406-TRM</b> <i>Tub/Shower Trim with Hand Shower</i>	<p>Tub/shower trim with hand shower and lever handle includes wall cradle for hand shower mounting, in-line vacuum breaker, flexible metal hose, non-diverter tub spout, 1 mode hand shower and 3 mode showerhead with standard 2.5 gpm (9.5 L/min) flow restrictor. Shower trim with hand shower and lever handle includes all of the above less non-diverter tub spout. Valve trim with hand shower and lever handle includes all of the above less non-diverter tub spout and 3 mode showerhead. Components made from metal and nonmetallic materials plated in standard polished chrome finish.</p>
Modifications	Compliance
<input type="checkbox"/> <b>-1.5</b>  1.5 gpm (5.7 L/min) flow restrictor <input type="checkbox"/> <b>-2.0</b>  2.0 gpm (7.6 L/min) flow restrictor <input type="checkbox"/> <b>-H521-V</b> 30" slide bar in place of wall cradle on hand shower units  <input type="checkbox"/> <b>-ORB</b> Oil rubbed bronze finish  <input type="checkbox"/> <b>-STN</b> Satin nickel finish	<p>-ASME A112.18.1; CSA B125.1</p>  <p><u>For California Residents</u>  <b>WARNING:</b> This product contains chemicals known to the State of California to cause cancer, birth defects, or other reproductive harm.</p>
	Warranty
<p><b>Note:</b> Append appropriate -suffix to model number.</p>	<p><b>Limited Lifetime</b> - to the original end purchaser in consumer installations.  <b>5 Years</b> - for commercial installations.</p> <p>Refer to <a href="http://www.symmons.com/warranty">www.symmons.com/warranty</a> for complete warranty information.</p>

## Dimensions

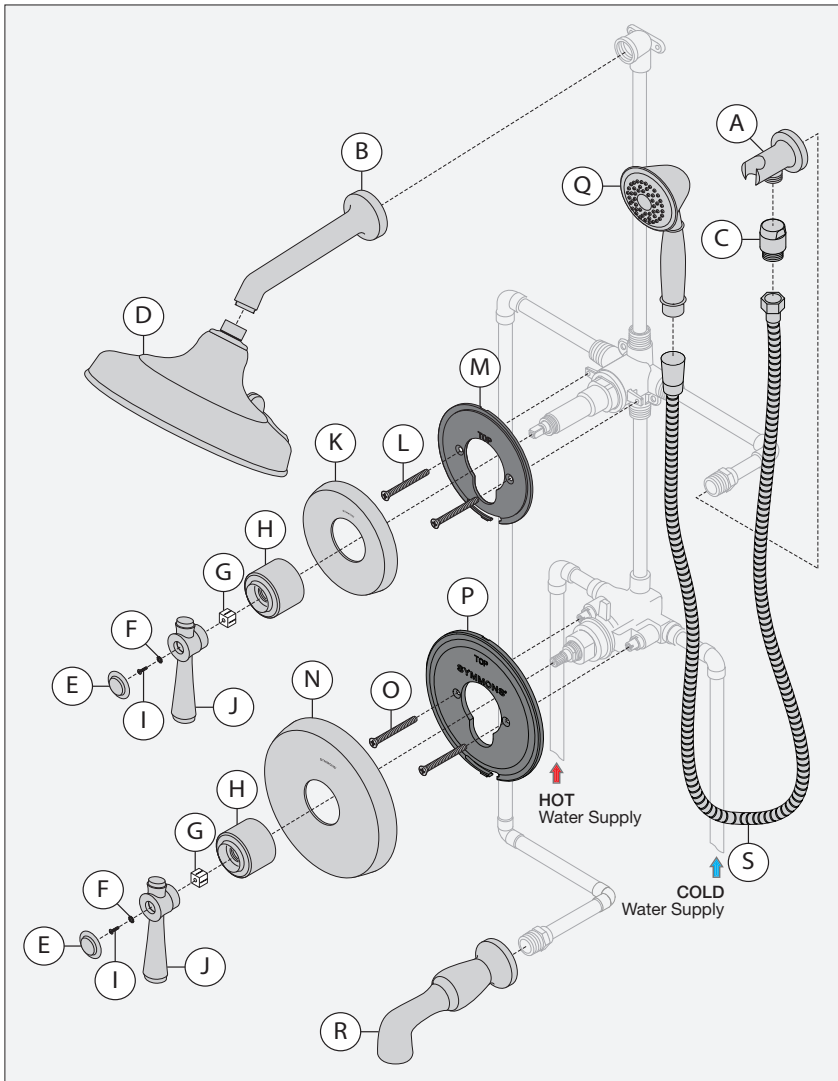


Measurements	
A	Ø 2-1/2", 64 mm
B	13", 330 mm
C	Ø 2-1/2", 64 mm
D	Male 1/2" IPS thread must protrude 3/8" from finished wall
E	6", 152 mm
F	Ref. 77", 1956 mm
G	Ø 7", 178 mm
H	Ø 5-1/2", 140 mm
I	3-1/2", 89 mm
J	Ref. 10", 254 mm
K	Ø 2-1/2", 64 mm
L	Ref. 32", 813 mm
M	12", 305 mm
N	3-3/4", 95 mm
O	4-1/4", 108 mm
P	1/2" - 14 NPT
Q	1/2", 13 mm
R	(Rough in) 2-3/8" ± 1/2", 60 mm ± 13 mm
S	8", 203 mm

### Notes:

- 1) All dimensions measured from nominal rough-in (see R as reference).
- 2) Dimensions are subject to change without notice.

## Parts Breakdown



### Notes:

- 1) Apply a bead of silicone around the perimeter of all shower trim installed flush to the finished wall (less mounting plates and brackets). Leave opening on bottom of escutcheons for weep hole.
- 2) Apply plumber tape to all threaded connections.

### Replacement Parts

Item	Description	Part Number
A	Wall Cradle	T-635
B	Shower Arm	522SA
C	Vacuum Breaker	EF-104
D	Showerhead	402SH2
E	Plug Button	T-694
F	Star Washer	
G	Handle Insert	
I	Set Screw	
J	Handle	
H	Dome Cover	T-696
K	Escutcheon	LLD-104-NS-KIT
L	Screws	
M	Mounting Plate	
N	Escutcheon	T-697-NS-K001
O	Screws	
P	Mounting Plate	
Q	Hand Shower	462W
R	Tub Spout	T-783
S	60" Hose	EF-104

### Notes:

- \*1) Append -ORB to part number for oil rubbed bronze finish; -STN for satin nickel.
- 2) Append -1.5 or -2.0 to showerhead or hand shower for low flow.

### Tools Required for Installation

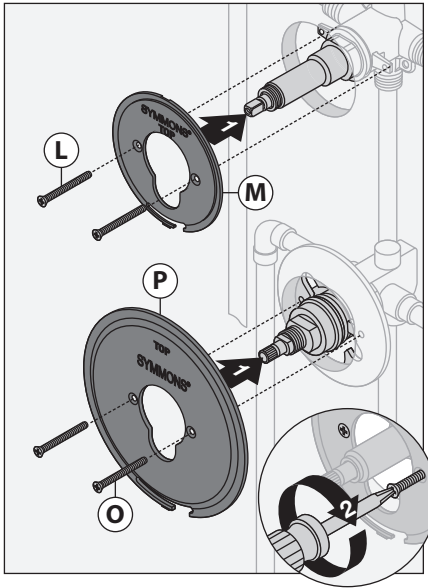
Adjustable Wrench	
Allen Wrench 3/16"	
Phillips Head Screwdriver	
Plumber Tape	
Silicone	

# Installation

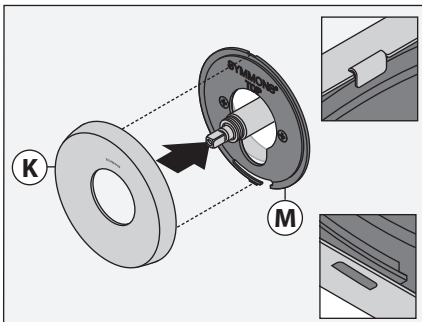
**Note:**

For valve body installation, please see valve body installation guides.

- 1) Install small mounting plate (M) to diverter valve (5406 diverter valve = 4-460E-BODY, 5405 diverter valve = 4-458E-BODY) and large mounting plate (P) to shower valve (4000-BODY). Secure each with two screws (L/O).

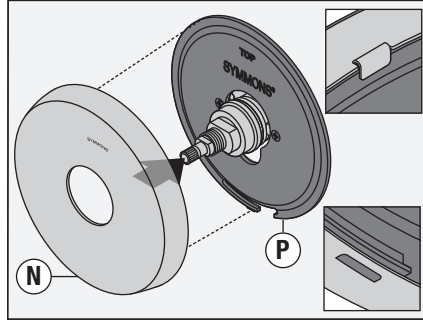


- 2) Attach diverter escutcheon (K) to small mounting plate (M).



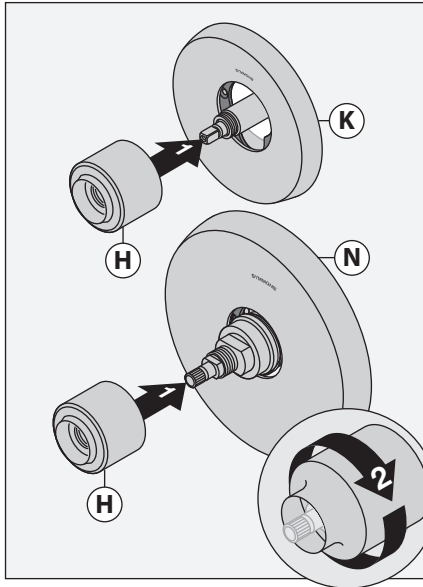
**Note:** Tabs should snap into place.

- 3) Attach shower escutcheon (N) to large mounting plate (P).

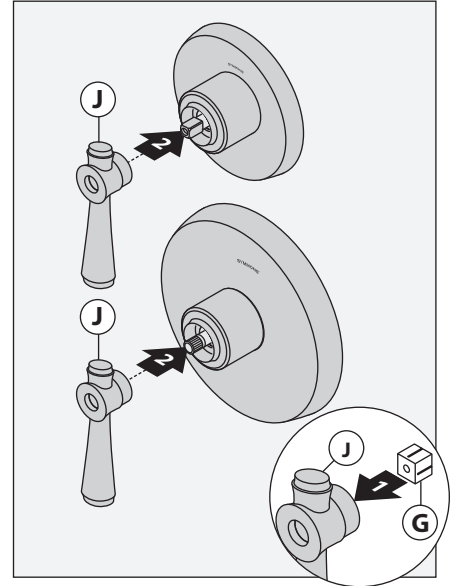


**Note:** Tabs should snap into place.

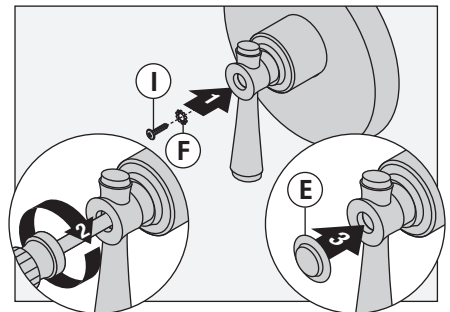
- 4) Install dome covers (H) to valves by turning clockwise.



- 5) Insert handle insert (G) into handle(s) (J). Install diverter handle (J) (5405 and 5406 only) and shower handle (J) to valves.



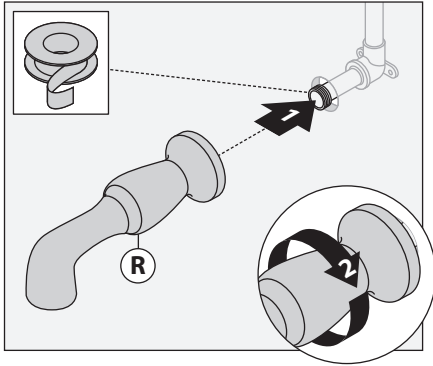
- 6) Secure handle(s) to valves using star washer (F) and screw (I). Attach plug button (E) to handle(s).



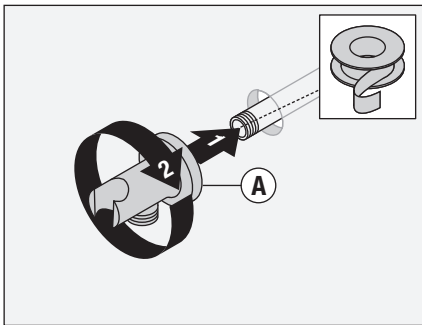
**Note:** Handle should be facing the 6 o'clock position.

## Installation

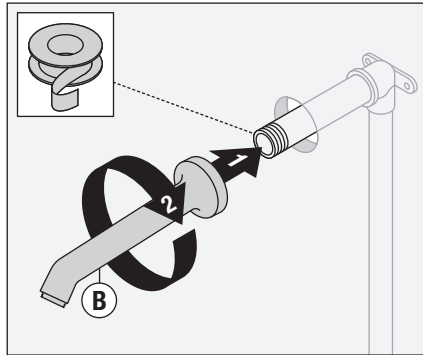
- 7) Install tub spout (R) to pipe fitting. Turn clockwise to secure.



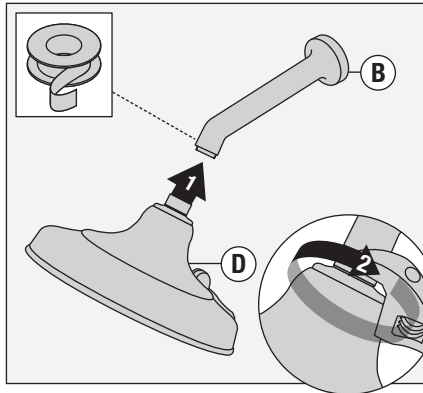
- 8) Install wall cradle (A) to pipe fitting. Turn clockwise to tighten.



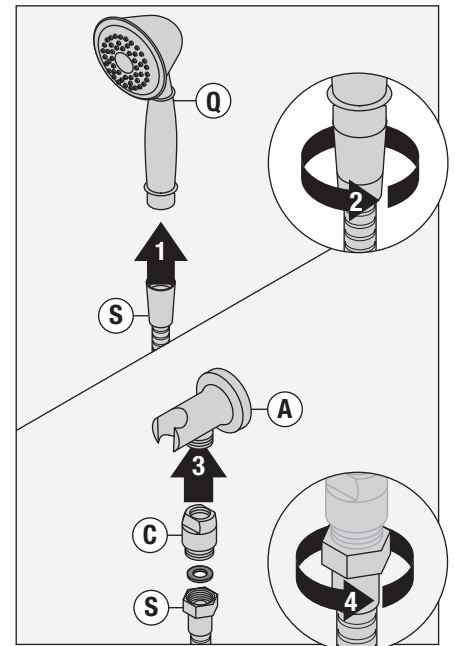
- 9) Attach shower arm (B) to vertical shower pipe. Turn clockwise to tighten.



- 10) Install showerhead (D) to shower arm (B). Turn clockwise to tighten.

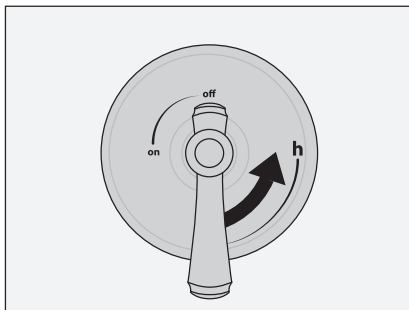


- 11) Attach large end of hand shower hose (S) to hand shower (Q). Attach small end of hand shower hose (S) and gasket to in-line vacuum breaker (C). Connect in-line vacuum breaker (C) to wall cradle (A). Turn clockwise to tighten.

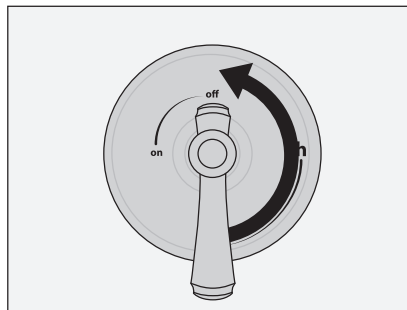


## Operation (Temperature Control)

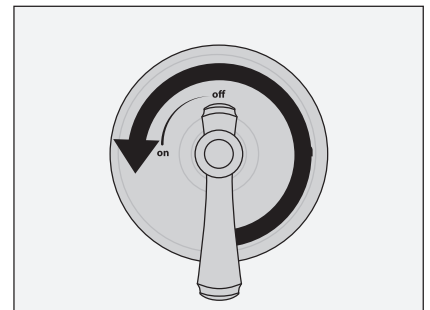
- 1) Turn shower handle counter-clockwise approximately 1/4 turn to put valve in cold position.



- 2) Turn shower handle counter-clockwise approximately 1/2 turn to put valve in warm position.

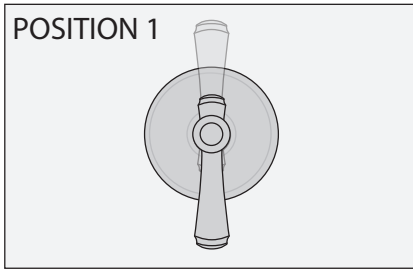


- 3) Turn shower handle counter-clockwise approximately 3/4 turn to put valve in hot position.

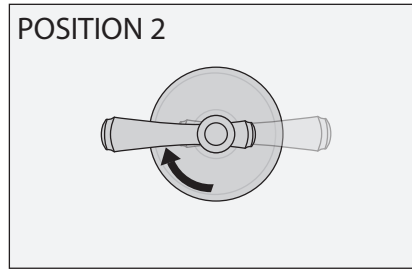


## Operation (Diverter Control: 5405-TRM Only)

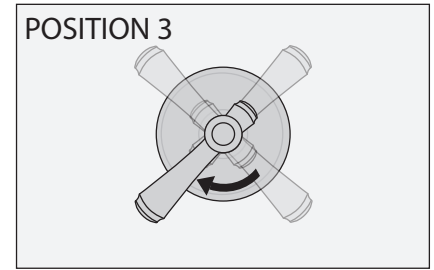
1) Cartridge is factory set to divert to function 1.



2) Turn handle to position 2 to divert to function 2.



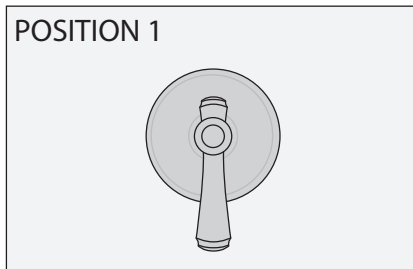
3) Turn handle to position 3 to share functions 1 and 2.



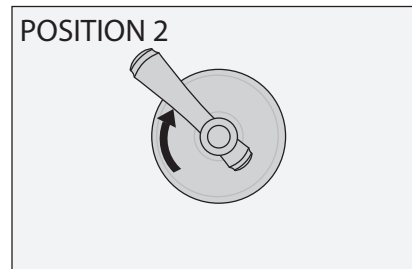
**Note:** Additional handle positions for same output are illustrated.

## Operation (Diverter Control: 5406-TRM Only)

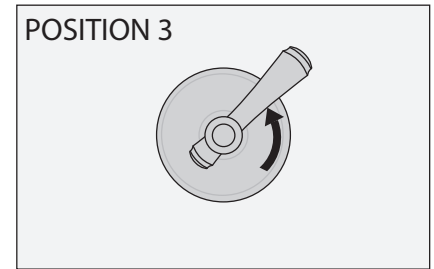
1) Cartridge is factory set to divert to function 1.



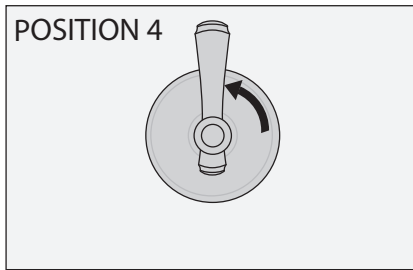
2) Turn handle to position 2 to divert to function 2.



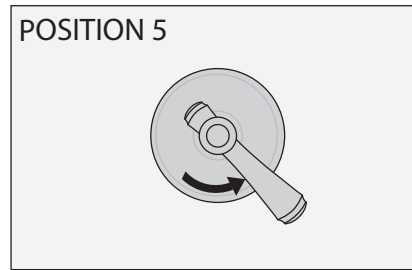
3) Turn handle to position 3 to divert to function 3.



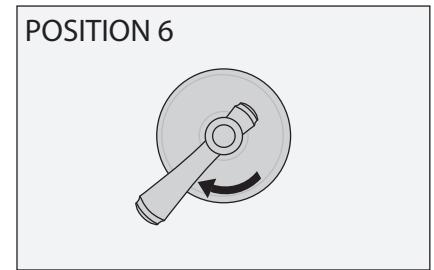
4) Turn handle to position 4 to share functions 2 and 3.



5) Turn handle to position 5 to share functions 1 and 3.



6) Turn handle to position 6 to share functions 1 and 2.



## Care and Cleaning

1) Clean finished trim area with a soft cloth using mild soap and water or a non-abrasive cleaner and then quickly rinse with water.

## Troubleshooting Chart

Problem	Cause	Solution
Finish is spotting.	Elements in water supply may cause water staining on finish.	Clean finished trim area with a soft cloth using mild soap and water or a non-abrasive cleaner and then quickly rinse with water.