



Medical and Lavatory Faucets

B-0322-04

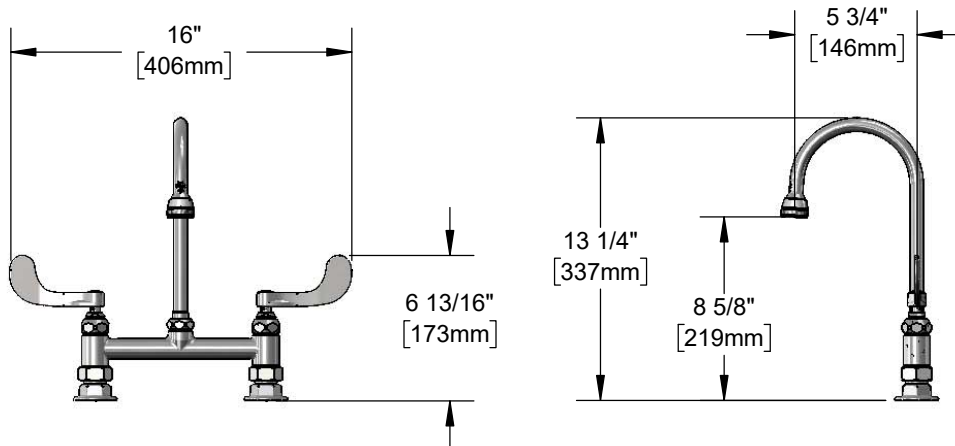
TAG:

Surgical Sink Faucet

Architect/Engineering Specifications:

8" deck mount mixing faucet with polished chrome plated brass body, 5 3/4" swivel/rigid gooseneck with rosespray outlet, compression cartridges with spring checks, 4" wrist action handles and 1/2" NPT female inlets. Certified to ASME A112.18.1/CSA B125.1, NSF 61-Section 9 and NSF 372. Meets ADA ANSI/ICC A117.1 requirements.

Job Name _____
 Model Specified _____ Quantity _____
 Variations Specified _____
 Date _____



Features & Benefits:

- 8" deck mount mixing faucet with polished chrome plated brass body
- 5 3/4" swivel/rigid gooseneck
- Lock washer provided for rigid application
- Rosespray outlet, Series 2
- Quarter-turn Eterna compression cartridges w/ spring checks to prevent cross flow of water
- 4" wrist action handle w/ color coded indexes
- 1/2" NPT female eccentric inlets w/ Ø2" flanges
- Adjustable centers from 7 3/4" to 8 1/4"
- Material: Polished chrome plated brass body, tubular spout and chrome plated metal handles

Product Compliance:

- ASME A112.18.1 / CSA B125.1
- NSF 61 - Section 9
- NSF 372 (Low Lead Content)
- ANSI A117.1 (ADA)

Warranty: One Year (Limited)

Performance Data:

- Pressure: 20 - 125 psi
- Temperature: 40 °F - 140 °F
- Flow Rate: 12.84 GPM @ 60 psi



ADA Compliant

Optional Outlets (Series 2 / VR Series 7)

| GPM | Aerated | Non-Aerated (Laminar) | VR Aerated | VR Non-Aerated (VR Laminar) |
|------|--|---|--|---|
| 0.35 | N/A | <input type="checkbox"/> B-0199-02-N035 | N/A | <input type="checkbox"/> B-0199-07-N035 |
| 0.5 | N/A | <input type="checkbox"/> B-0199-02-N05 | N/A | <input type="checkbox"/> B-0199-07-N05 |
| 1.0 | <input type="checkbox"/> B-0199-02-F10 | N/A | <input type="checkbox"/> B-0199-07-F10 | N/A |
| 1.2 | <input type="checkbox"/> B-0199-02-F12 | N/A | <input type="checkbox"/> B-0199-07-F12 | N/A |
| 1.5 | <input type="checkbox"/> B-0199-02-WS | N/A | <input type="checkbox"/> B-0199-07-WS | N/A |
| 2.2 | <input type="checkbox"/> B-0199-02 | N/A | <input type="checkbox"/> B-0199-07 | N/A |

Optional Cartridges With Checks

- Quarter-Turn Cerama w/ Check Valve
- Quarter-Turn Eterna w/ Spring Check (Standard)

Optional Handles

- 4" Wrist Action (Standard)
- Lever
- 4-Arm



T&S BRASS AND BRONZE WORKS, INC.



• 2 Saddleback Cove • Travelers Rest, SC 29690
 Ph 800-476-4103 • Fax 864-834-3518
 • Simi Valley, CA • Ph 800-423-0150 • www.tsbrass.com

Date: 05/01/18