

TOTO® USA, INC. has merged heated air and water to create the ultimate in bathing luxury:

## The TOTO® Nexus® Air Bath

The TOTO® Nexus® Air Bath will provide the bather a soothing, relaxing and refreshing repose uniquely different than any other bath-time experience. The cast-acrylic Nexus® Air Bath has smooth lines and a deep bathing well which is accented with a solid brass grab bar and 16 individual air jets. The individualized check valve system allows the bather to use soaps, bath oils, salts and other bathing essentials without harming the performance of the air system.



ABA794R - Nexus® 6' Bathtub

- 71-3/8" x 35-7/16" x 24-3/16"
- Luxuriously deep Bathing Well
- Cast-acrylic construction provides years of durability
- Slip-resistant surface
- 1 hp Ultra-quiet Blower
- 300 watt Heated Air Injection System
- Final purge/drying cycle to clean each air jet
- Solid Brass Grab Bar with optional finishes
  
- Multi functional Keypad
  - Normal Mode -**  
5 Intensity Levels For Continuous Operation
  - Pulsating Mode -**  
Alternating between the High/Low Intensity levels for Massage
  - Oscillation Mode -**  
Alternating between all 5 Intensity levels for Massage

### ■ ABA794L

Acrylic bathtub. Slip-resistant surface. Left keypad/ right blower

### ■ ABA794R

Acrylic bathtub. Slip-resistant surface. Right keypad/ left blower

#### Colors:

Standard #01 Cotton

Optional See price book for additional colors

Grab Bar CP: Polished Chrome  
BN: Brushed Nickel  
PB: Polished Brass

Jet Trim Chrome  
#01 Color Matched

# ABA794L/ABA794R

## Nexus® 6' Bathtub

### ■ STYLE

Designed to match our line of residential bathroom products, TOTO's® tubs complete any bathroom suite.

Lucite cast acrylic construction provides the ultimate in strength and durability, while a slip-resistant surface enhances safety in the bath.

### ■ SPECIFICATIONS

Size: 71-3/8"L x 35-7/16"W

Depth: 20-1/4"

Warranty: 1 Year Limited Warranty on Acrylic Tub

1 Year Limited Warranty on Components and Parts

Material: Lucite Cast Acrylic

Electrical Requirements:

15 AMP; 120V w/GFI

Shipping Weight:

**ABA794L/ABA794R**  
140 lbs.

Shipping Dimensions:

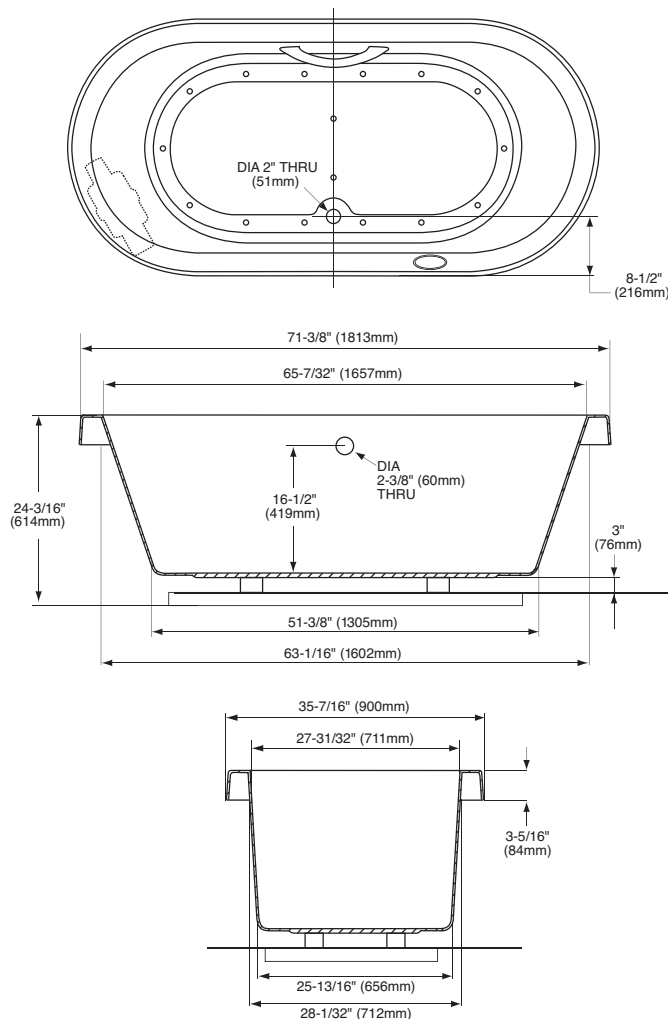
**ABA794L/ABA794R**  
76"L x 39-1/2"W  
x 27"H

Gallons:

**ABA794L/ABA794R**  
100 to overflow

**ABA794L** Left keypad/right blower

**ABA794R** Right keypad/left blower



**ABA794R - Nexus® 6' Bathtub**



Fixture meets ANSI/ASME standard Z124.1, C-UPC, and ETL requirements.

*These dimensions and specifications are subject to change without notice.*

*Use TOTO® cut template to assure rough in dimensions.*

# TOTO®

TOTO U.S.A., INC. • 1155 Southern Road, Morrow, GA 30260

Tel. (888) 295-8134 • Fax. (800) 699-4889 • [www.totousa.com](http://www.totousa.com)

Printed in U.S.A. © TOTO LTD. 6/04 #D50230