

## Eco Nexus® Close Coupled Toilet, 1.28GPF

### FEATURES

- E-Max® flushing system, low consumption (1.28GPF/4.8LPF)
- Elongated skirted design
- Universal Height
- Decorative two-piece design with high-profile tank
- Chrome trip lever
- 12" Rough-in

### MODELS

- CST794EF

### COMPONENTS

- CT794EF  
Elongated bowl
- ST794E  
Tank and cover only
- ST794ER#01  
Tank and cover only, right-hand trip lever
- SS204 SoftClose® seat (sold separately)
- SS114 SoftClose® seat (sold separately)
- SS304 SoftClose® maple seat (sold separately)

### COLORS/FINISHES

- Standard
  - #01 Cotton
  - #03 Bone
  - #11 Colonial White
  - #12 Sedona Beige
  - #51 Ebony

### PRODUCT SPECIFICATION

The two-piece low consumption E-Max flushing system toilet shall be 1.28GPF/4.8LPF. Toilet shall have high-profile tank, elongated front bowl and chrome trip lever. Toilet shall be TOTO Model CST794EF \_\_\_\_.



### CODES/STANDARDS

- Meets and exceeds ASME A112.19.2/CSA B45.1
- Certifications: IAPMO(cUPC), EPA Watersense, State of Massachusetts, City of Los Angeles, and others
- Code compliance: UPC, IPC, NSPC, NPC Canada, and others
- Legislative Compliance: California AB715, California Green Building Code, City of Los Angeles Water Efficiency Ordinance
- ADA compliant (when installed with trip lever located on the approach side)



# CST794EF

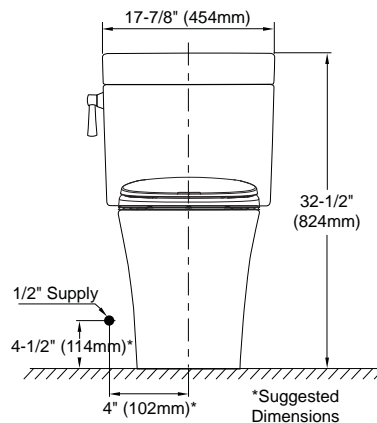
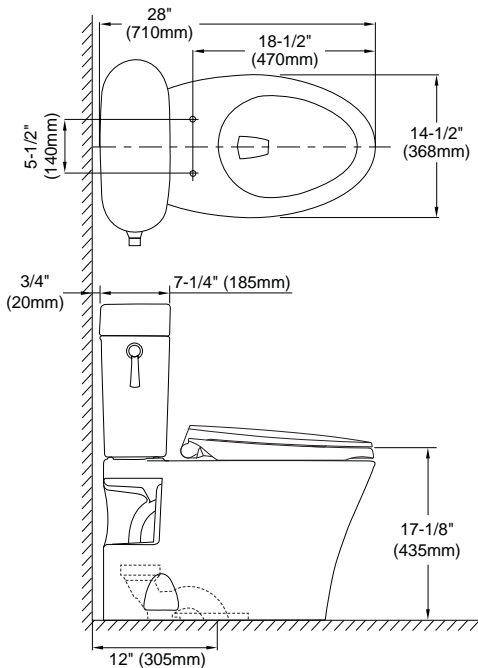
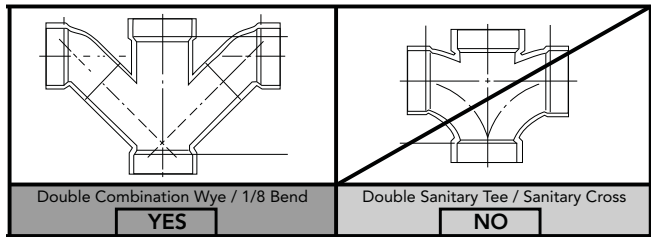
## Eco Nexus® Close Coupled Toilet, 1.28GPF/4.8 GPF

### SPECIFICATIONS

- Water Use 1.28 GPF/4.8LPF
- Flush System E-Max®
- Min. Water Pressure 8 psi (static)
- Water Surface 10-1/4" x 8-1/4"
- Trap Diameter 2-1/16"
- Rough-in 12"
- Trap Seal 2-1/4"
- Warranty One Year Limited Warranty
- Material Vitreous china
- Shipping Weight CT794EF - 62lbs  
ST794E - 36.5lbs
- Shipping Dimensions CT794EF  
29-3/4" L x 16-1/2" W  
x 24-3/4" H  
  
ST794E  
20-3/8" L x 8-3/8" W  
x 19-5/8" H

### INSTALLATION NOTES

Back-to-Back Toilet Installations:  
TOTO recommends the use of a nationally listed, double sanitary tee-wye only, in vertical waste stacks, in accordance with the stipulations noted in the majority of nationally recognized plumbing codes.



*These dimensions and specifications are subject to change without notice*