

TOTO®

Perfection by Design

LHT242G/LHT242 Prominence Wall Mount Lavatory



LHT242.4G - Prominence Wall Mount Lavatory

- 26" x 21½"
- Beautiful design with elegant curves
- Luxury wash basin
- SanaGloss™ Technology: Super smooth, ion barrier glazing helps keep lavatory clean
- Rear overflow

Vitreous china wall mount lavatory. Complete with mounting hardware.

■ **LHT242G**

Wall mount lavatory with single hole and SanaGloss™ glazing. Available colors: #01, #11, #12, #03.

■ **LHT242.4G**

Same as LHT242G except with 4" centers.

■ **LHT242.8G**

Same as LHT242G except with 8" centers.

■ **LHT242**

Wall mount lavatory with single hole, less SanaGloss™ glazing. Available colors: #04, #51.

■ **LHT242.4**

Same as LHT242 except with 4" centers.

■ **LHT242.8**

Same as LHT242 except with 8" centers.

□ **LT242G**

Lavatory with SanaGloss™ and single hole.

□ **LT242.4G**

Same as LT242G except with 4" centers.

□ **LT242.8G**

Same as LT242G except with 8" centers.

□ **LT242**

Lavatory only with single hole.

□ **LT242.4**

Same as LT242 except with 4" centers.

□ **LT242.8**

Same as LT242 except with 8" centers.

□ **HT242**

Shroud only with mounting assembly, complete.

Colors:

Standard #01 Cotton

Optional See price book for additional colors.

**SanaGloss™ glazing is available in select colors.*

Please consult price book for specific color offerings.

Faucet Not Included

LHT242G/LHT242

Prominence Wall Mount Lavatory

DESIGN

Beautiful lavatory design featuring elegant curves and a sleek wall mount shroud. The Prominence Wall Mount Lavatory is designed to compliment the Prominence Design Suite.

SPECIFICATIONS

Waste: 1¹/₄" O.D.
 Size: 26" x 21¹/₂"
 Basin: 23¹/₈" x 14³/₄"
 Warranty: Five Year Limited Warranty
 Material: Vitreous china lavatory and shroud

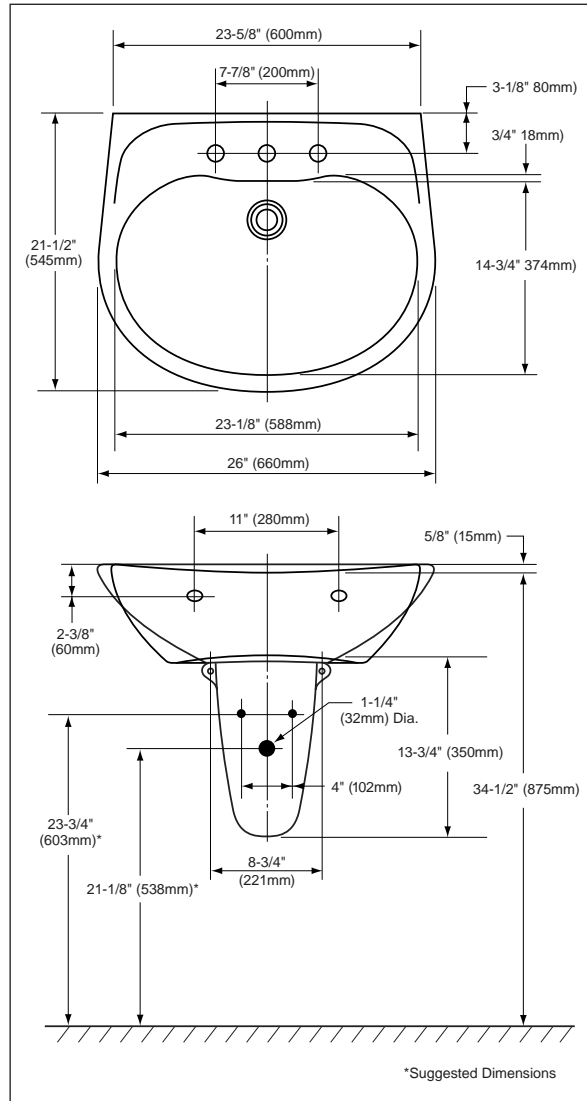
Shipping Weight: **LT242G / LT242.4G / LT242.8G**
LT242 / LT242.4 / LT242.8
 46 lbs.
HT242
 15 lbs.

Shipping Dimensions: **LT242G / LT242.4G / LT242.8G**
LT242 / LT242.4 / LT242.8
 26"L x 21⁷/₈"W x 8¹/₂"H
HT242
 11³/₄"L x 10¹/₄"W x 14¹/₈"H

Fixture dimensions meet ANSI/ASME standard A112.19.2M and CAN/CSA B 45 requirements.

Listing / Approvals: IAPMO/UPC, CSA, City of Los Angeles, State of Massachusetts, and others.

These dimensions and specifications are subject to change without notice.



LHT242.8G - Prominence Wall Mount Lavatory