

Self-Rimming Lavatory

FEATURES

- 19" diameter
- Vitreous china
- ADA compliant
- Concealed front overflow
- Complete with installation template and sealing compound

MODELS

- LT502
Lavatory only with single hole faucet center
- LT502.4
Lavatory only with 4" faucet centers
- LT502.8
Lavatory only with 8" faucet centers



PRODUCT SPECIFICATION

The self-rimming lavatory shall be made of vitreous china. Lavatory shall be 19" in diameter. Product shall be with front overflow and lavatory shall include mounting assembly and be ADA compliant. Lavatory shall be TOTO Model LT502_____.

COLORS/FINISHES

- Standard
 - #01 Cotton
 - #03 Bone
 - #12 Sedona Beige

CODES/STANDARDS

- Meets and exceeds ASME A112.19.2/CSA B45.1
- Certifications: IAPMO(cUPC), State of Massachusetts, City of Los Angeles, and others
- ADA compliant
- Code compliance: UPC, IPC, NSPC, NPC Canada, and others

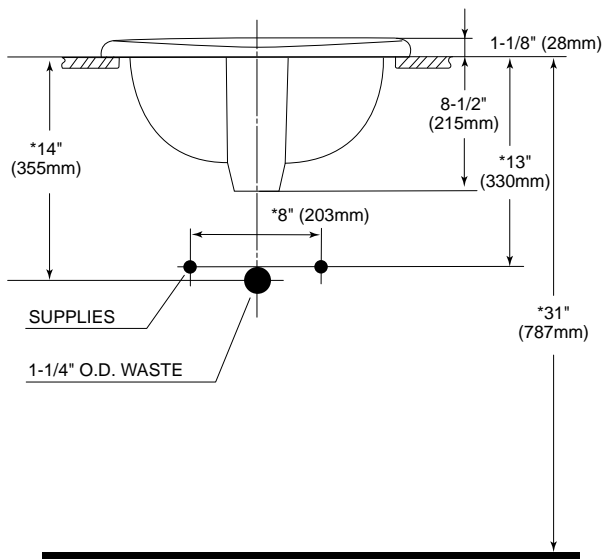
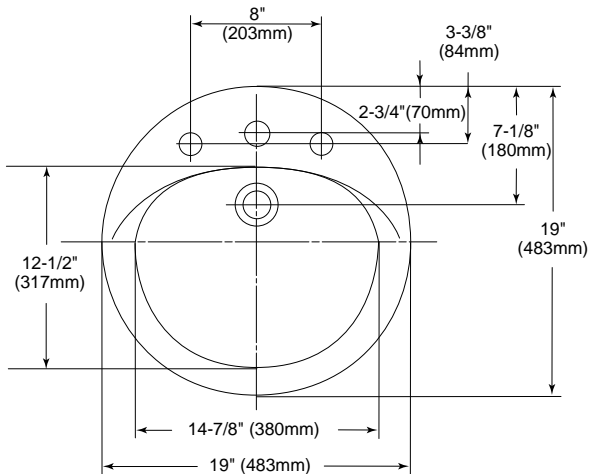


LT502

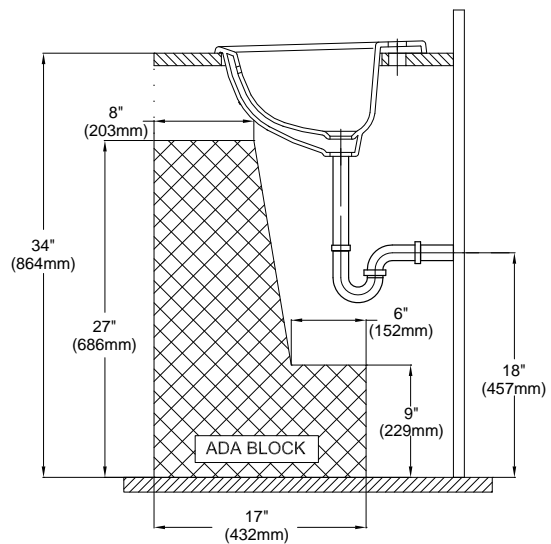
Self-Rimming Lavatory

SPECIFICATIONS

- Waste 1-1/4" O.D.
- Size 19" diameter
- Basin 14-7/8"W x 12-12"D
- Warranty One Year Limited Warranty
- Material Vitreous china
- Shipping Weight 21 lbs.
- Shipping Dimensions 20-1/2" L x 20-1/2" W x 10-3/8" H



ADA Compliance Check



TOTO®

These dimensions and specifications are subject to change without notice