



# NEOREST® 550 Installation Instructions <Bowl>

The installation of the toilet bowl for the NEOREST 550 differs from installation of conventional toilet bowls. Be sure to read the following installation instructions and install the product only as described in this manual.

## 1 Always Follow This Precaution

Before installing the NEOREST 550, be sure to read the safety instructions in "Always Follow This Precaution" and install the product only as described in the instructions.

- Precautionary symbols are used in these instructions to ensure safe and proper installation of the product and to prevent injury to the end-user and damage to personal property. The definitions of these precautionary symbols are as follows.  
-These are two types of precautionary symbols. The symbols and definitions appear below.

Symbol	Definition
	<b>WARNING</b> When this symbol appears, precaution should be taken to ensure proper and safe use of the product. Ignoring this precaution could result in injury or damage to personal property.

	This symbol indicates a prohibited use of the product.		This symbol means "Always follow the precaution."
--	--	--	---

**WARNING**

Avoid direct impact to the ceramic components as this may break the ceramic and could result in injury or property damage due to water leakage.

Don't forcefully bend the water supply hose. Don't damage water supply hose with cigarette fire, cutter or so on. Damaging the water supply hose could result in injury or property damage due to water leakage.

Don't remove the filter when the shutoff valve is open. Water will run out suddenly.

Always use the provided or designated parts for the installation process.

## 2 Parts Included in the Installation Kit

Before installation, confirm that parts listed below are included in the kit.

Part name	Quantity	Drawing	Remarks	
Toilet bowl	1		30kg	
Outlet connect (with rubber joint)	1			
Mounting Pieces	Hex bolt	2		
	Mounting plates	2		
	Nuts	2		
	Washers for the outlet connection	2		
	Self-tapping screws for the outlet connection	4		#4 self-tapping screw, cross recessed truss head Φ6X40
Installation instruction	1	This manual		
Paper installation template	1			
Side Panel	Right side panel	1		With Velcro tape
	Left side panel	1		
Water Supply Connection	Water shutoff valve with gasket	1		
	Water supply hose	1		Assembly part
Open close tool	1		Assembly part	

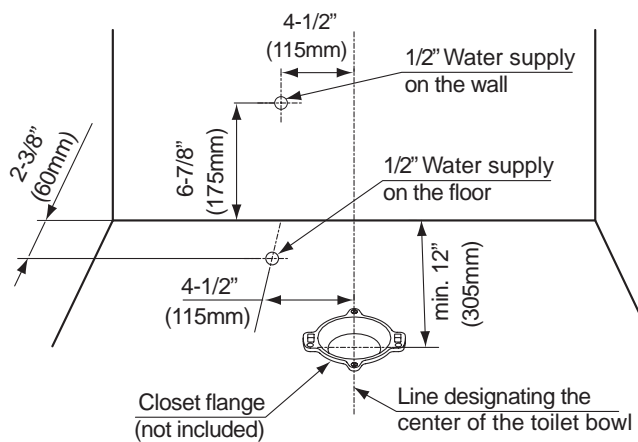
\* Be sure to give special tool to end users.

## 3 Before Installing the NEOREST®550

■ Confirm that there is enough floor space to install the unit and that bathroom door will open and close without obstruction.

※ Confirm that lid will open and close without obstruction against window frames, shelves, storage cabinets, etc.

■ Confirm that the position of the drain hole and pipes are properly lined up as designed in the drawing.



### Water Pressure

The NEOREST 550 is designed to operate under a minimum working pressure of 10 psig flowing.

It should be noted that the standard range of working pressure allowed by model codes is 20 to 80 psig static.\* It is necessary to install the water shutoff valve (angle stop) provided with the NEOREST 550. This will assure the proper flow ratio is achieved and allow for optimum performance of the unit.

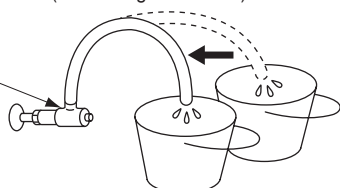
\*See warranty for details.

### How to Check the Water Pressure:

If the pressure gauge is unavailable, the fill method may be used as follows.

(Measuring Procedure)

NEOREST 550 water shutoff valve fully open condition.



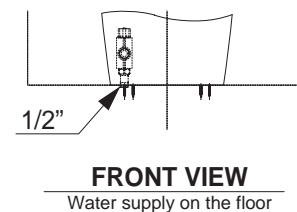
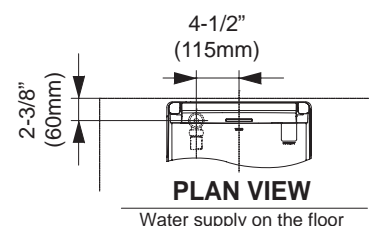
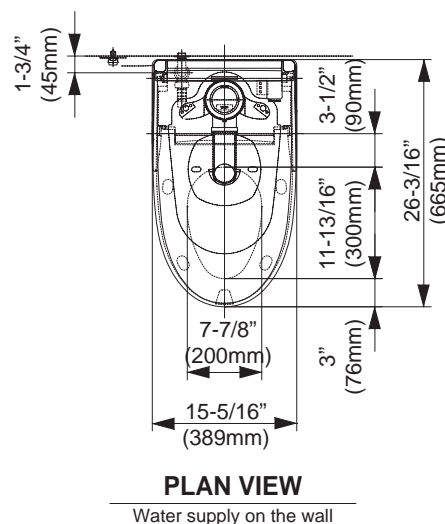
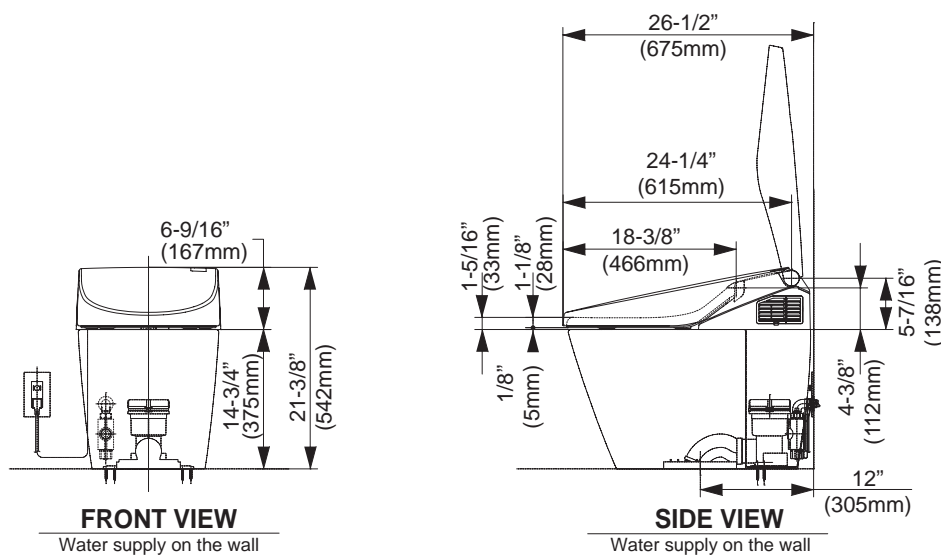
Allow the water to flow into the bucket for 10 seconds and measure the water volume.

The following water volumes will ensure sufficient water pressure.

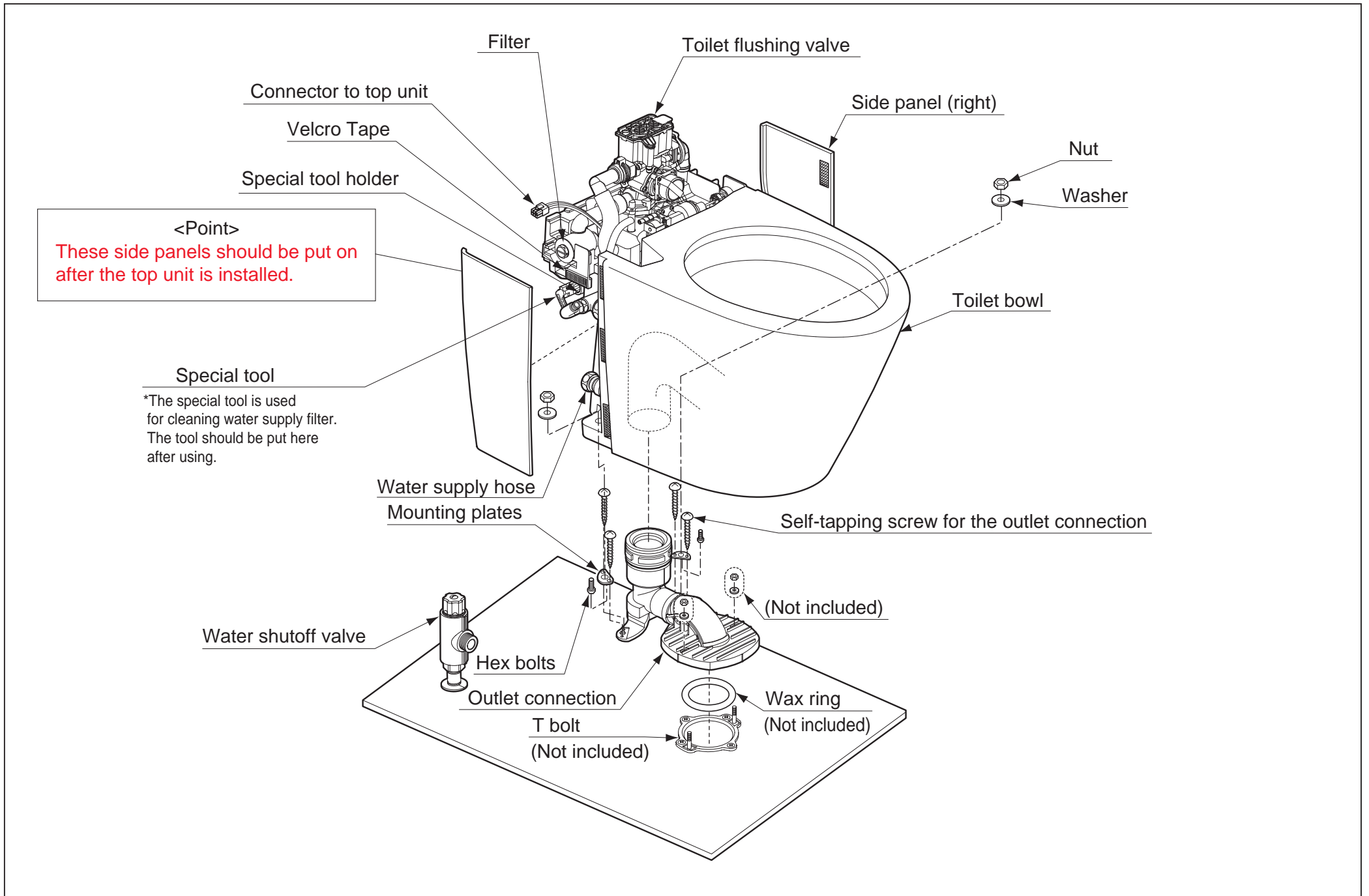
Water volume (for 10 sec.)
1.5 Gallions (5.5L) or more
NEOREST 550 water shutoff valve fully opened condition

Prepare two buckets to hold the water.

### Product Diagram



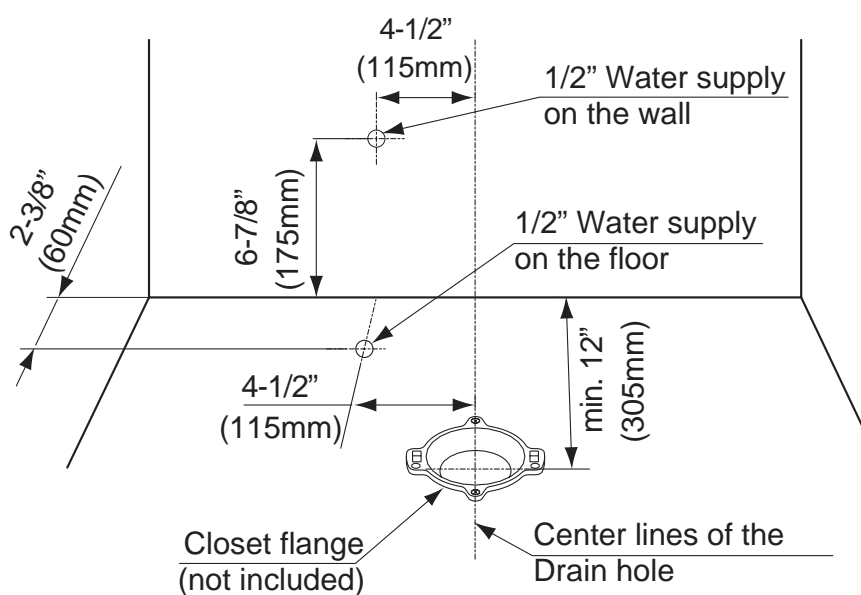
## 4 Parts and Installation Instruction



## 5 Installation Procedure

### 1 Positioning the drain hole and pipes

- Confirm that the position of the drain hole and pipes are properly lined up as designated in the drawing.
- The line designating the center of the toilet bowl is the same line designating the center of drain hole.



### 2 Installing the water shutoff valve

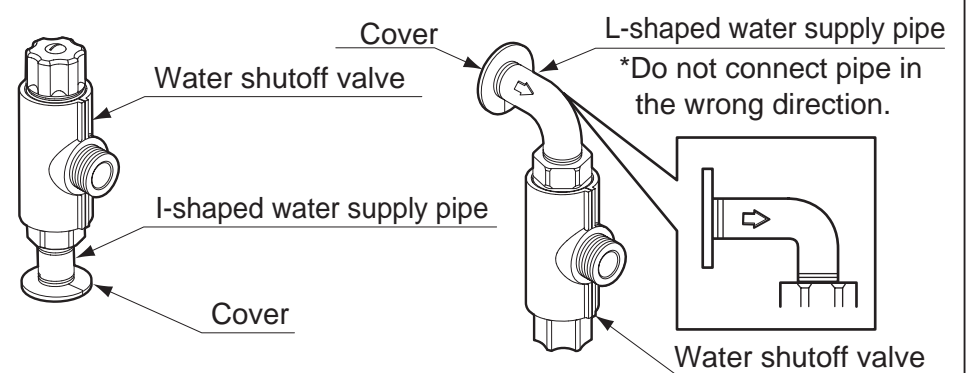
Install the water shutoff valve as designated.

#### On the floor

- Install I-shaped water supply pipe.
- Install cover.

#### On the wall

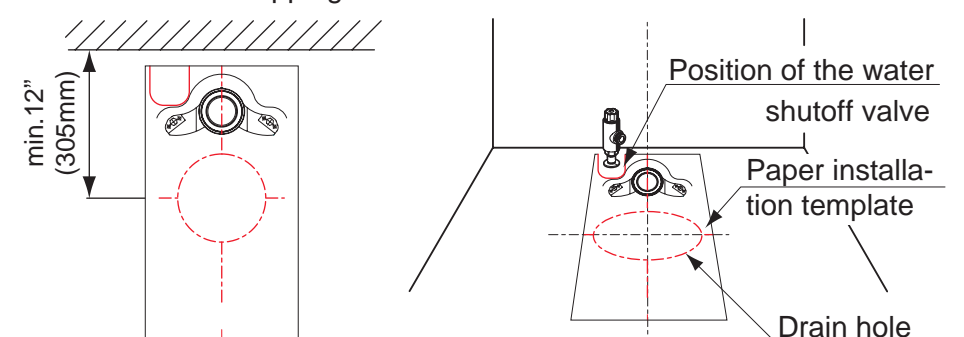
- Install L-shaped water supply pipe.
- Install cover.



\*Wrap sealing tape around the fitting on the water supply pipe.

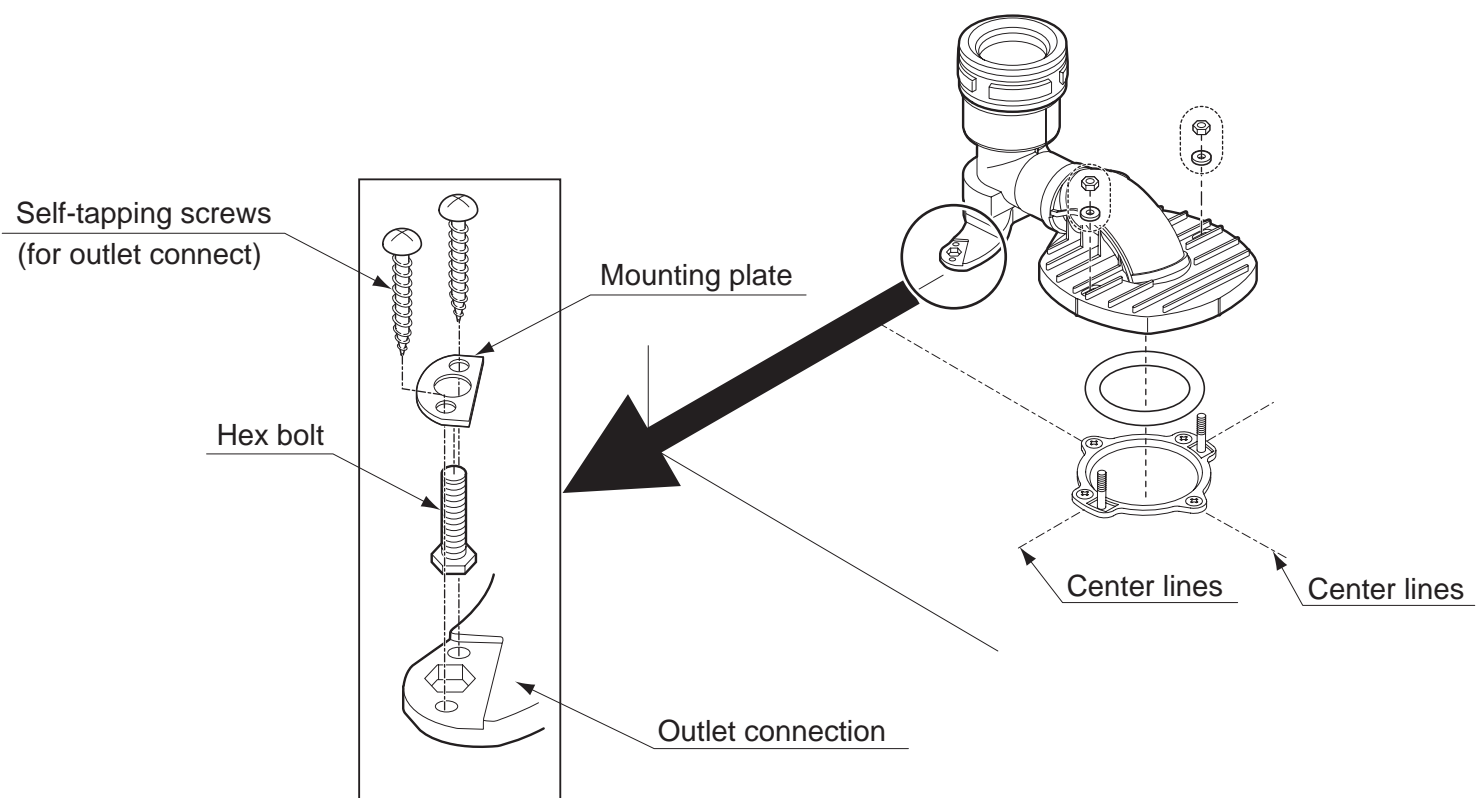
### 3 Marking off the self-tapping screw holes

- Place paper installation template so that the base line of paper installation template and the center line of a toilet bowl match.
- Confirm that water shutoff valve is located in the designated position.  
\*If the water shutoff valve is in the wrong position it could obstruct other parts of the product.
- Mark off the self-tapping screw holes of the outlet connection.



#### 4 Fixing the outlet connection

- ① The hex bolt should be placed in the hexagon shaped hole in the outlet connection. The mounting plate should be placed over the bolt and screwed into the floor with the self-tapping screws.
- ② To attach the front part, mount to the floor flange with "Tbolts", washers and nuts (Not included).
- ③ The front mounting block is then attached with self-tapping screws.



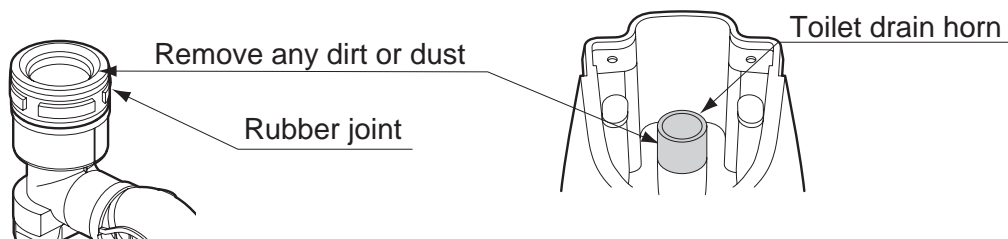
#### ⚠ WARNING



Please place the head of the hex bolt securely in the hexagonal hole in the outlet connection.  
If it is not placed securely in the hole, the toilet bowl could wobble.

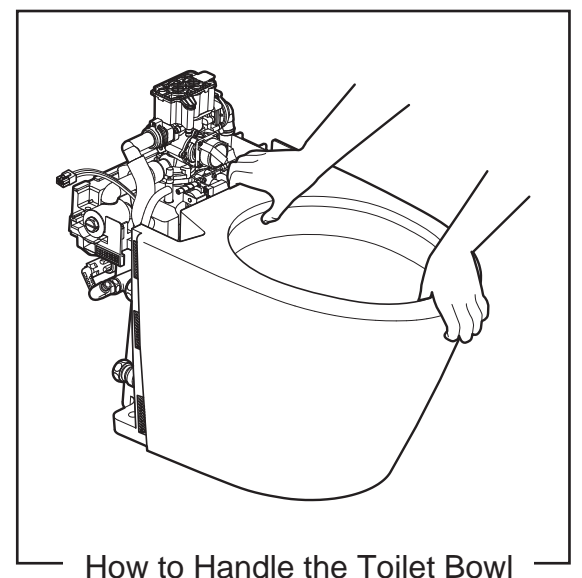
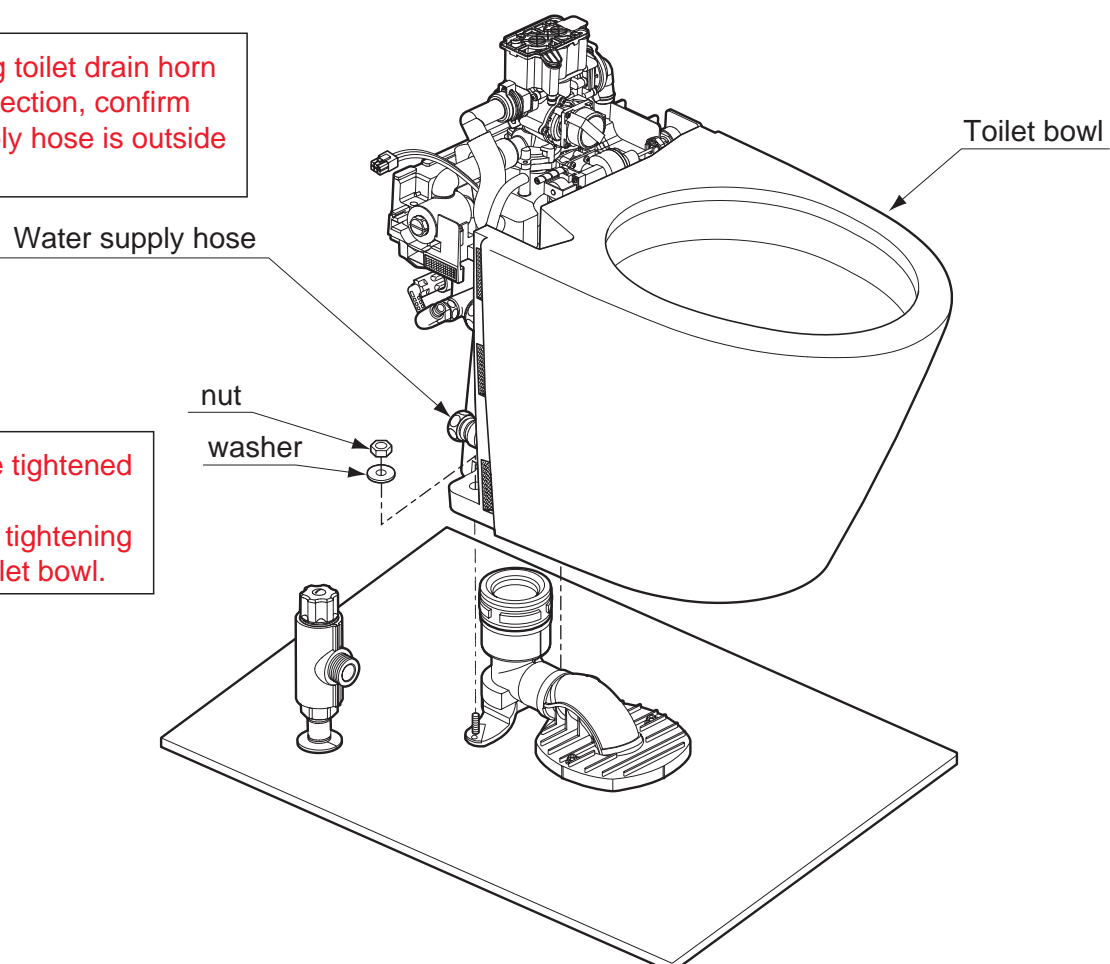
#### 5 Installing the toilet bowl

- ① Remove debris from around periphery of the rubber joint on the outlet connection and of the drain horn underneath the toilet bowl before inserting the drain horn into the outlet connection.
- ② Affix the installation holes (two holes) at the back of the toilet bowl to the outlet connection with the washers and nuts.



Point 1  
Before inserting toilet drain horn into outlet connection, confirm that water supply hose is outside of toilet bowl.

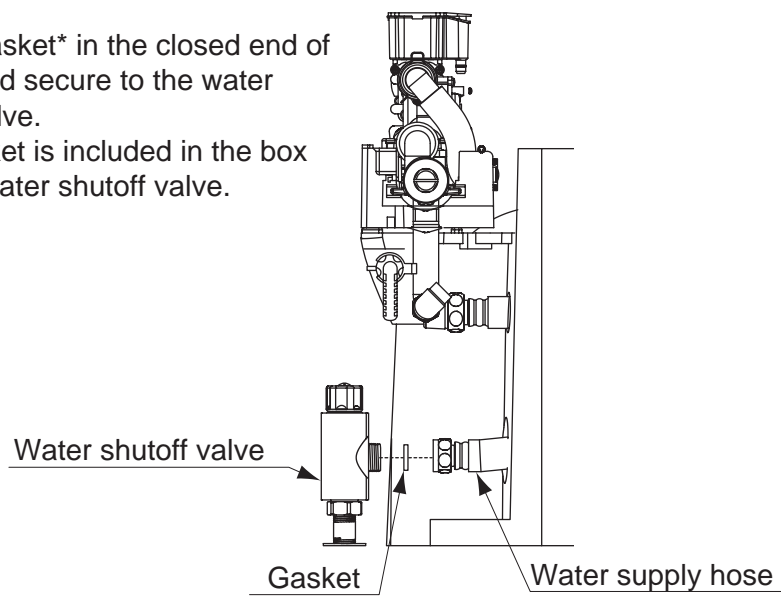
Point 2  
Nuts should be tightened well.  
However, over tightening could break toilet bowl.



### 6 Installing the water supply hose

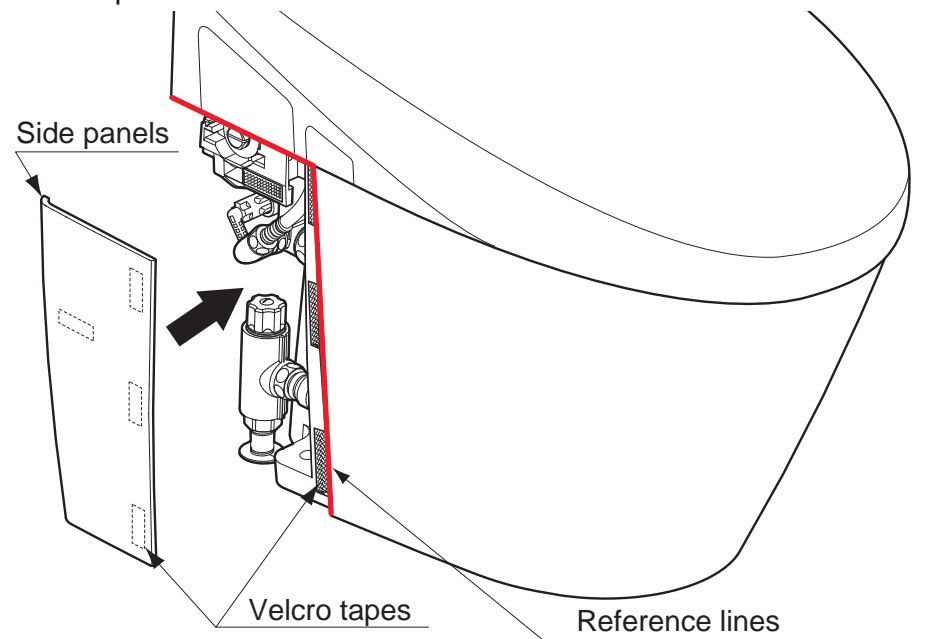
- Put the gasket\* in the closed end of the nut and secure to the water shutoff valve.

\*The gasket is included in the box with the water shutoff valve.



### 8 Installing the side panels

- After a trial operation of the NEOREST® 550, place the side panels along red lines (see reference lines). Push firmly on the position of Velcro tapes.



### 7 Installing the top unit and trial operation

- Refer to the installation instructions included in packaging for the top unit.

## For Better Results

- The manufacturer recommends that silicone caulking be placed around the bottom of the toilet bowl base to prevent water and urine from collecting underneath the floor materials, resulting in a stained floor.

