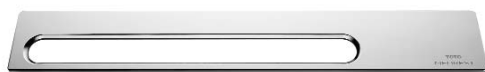


YB990#CP
Bath Towel
Holder



YC990#CP
Hand Towel
Holder



YH990#CP
Robe Hook



YP990#CP
Paper Holder



■ Designed to match the Neorest® Suite of fixtures and fittings, Neorest® accessories can complement any distinctive bath suite.

■ These beautiful and durable accessories come with mounting hardware for both tile and drywall applications.

■ Towel holders and paper holder are made so that they can also function as a small shelf.

Finishes:

Standard: Polished Chrome

Neorest® Bath Accessories

DESIGN

Designed to match the Neorest® Suite of fixtures and fittings, Neorest® accessories can complement any distinctive bath suite. These beautiful and durable accessories come with mounting hardware for both tile and drywall applications. Towel holders and paper holder are made so that they can also function as a small shelf.

SPECIFICATIONS

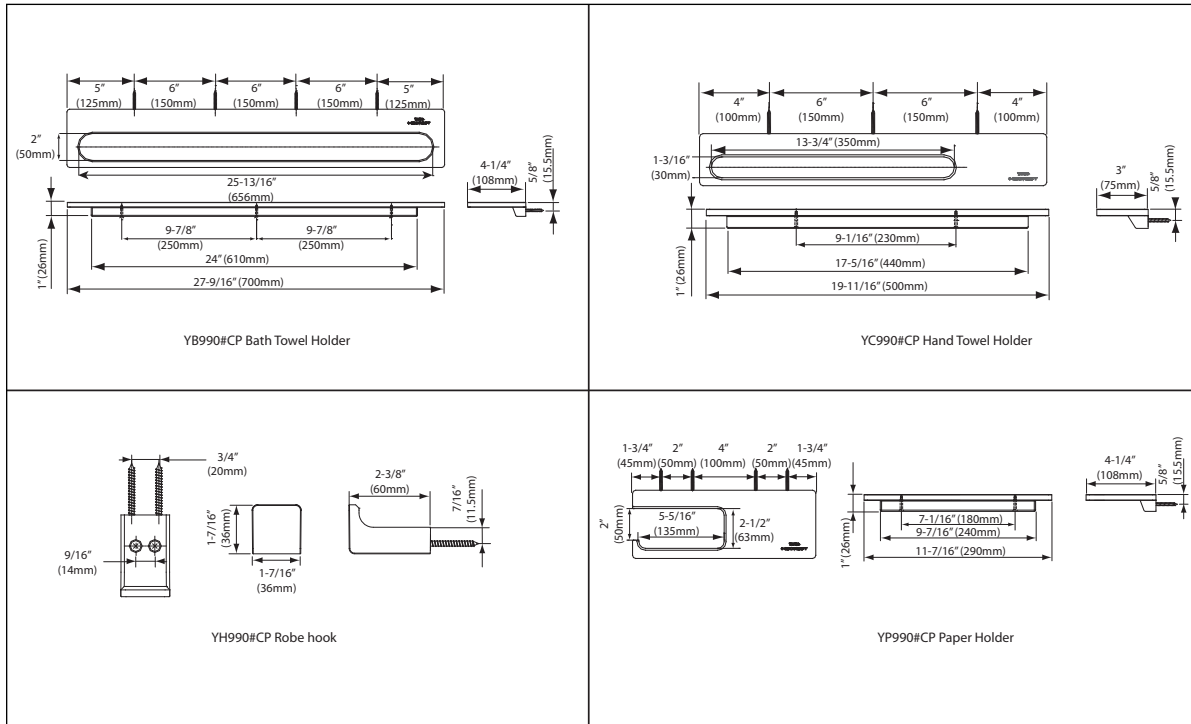
Warranty: Lifetime Limited Warranty (Residential use)
One Year (Commercial use)
Material: Aluminum/Stainless Steel (robe hook)

Note: Each accessory is sold and packaged separately.

Product Number	Shipping Weight	Shipping Dimensions	Shipping Cubes
YB990#CP	4.7 lbs.	31" x 7" x 3.5"	0.44
YC990#CP	3.3 lbs.	26" x 6" x 3.5"	0.28
YH990#CP	0.75 lbs.	6-1/4" x 4-3/4" x 3-1/4"	0.06
YP990#CP	2.5 lbs.	15" x 7" x 3-1/2"	0.21

CODES/STANDARDS

These dimensions and specifications are subject to change without notice.



Neorest® Bath Accessories

TOTO®

TOTO® U.S.A., INC. • 1155 Southern Road, Morrow, GA 30260
 Tel. (888) 295-8134 • Fax. (800) 699-4889 • www.totousa.com
 Printed in U.S.A. © TOTO® LTD. 03/07 #J10270

Printed on recycled paper ♻️