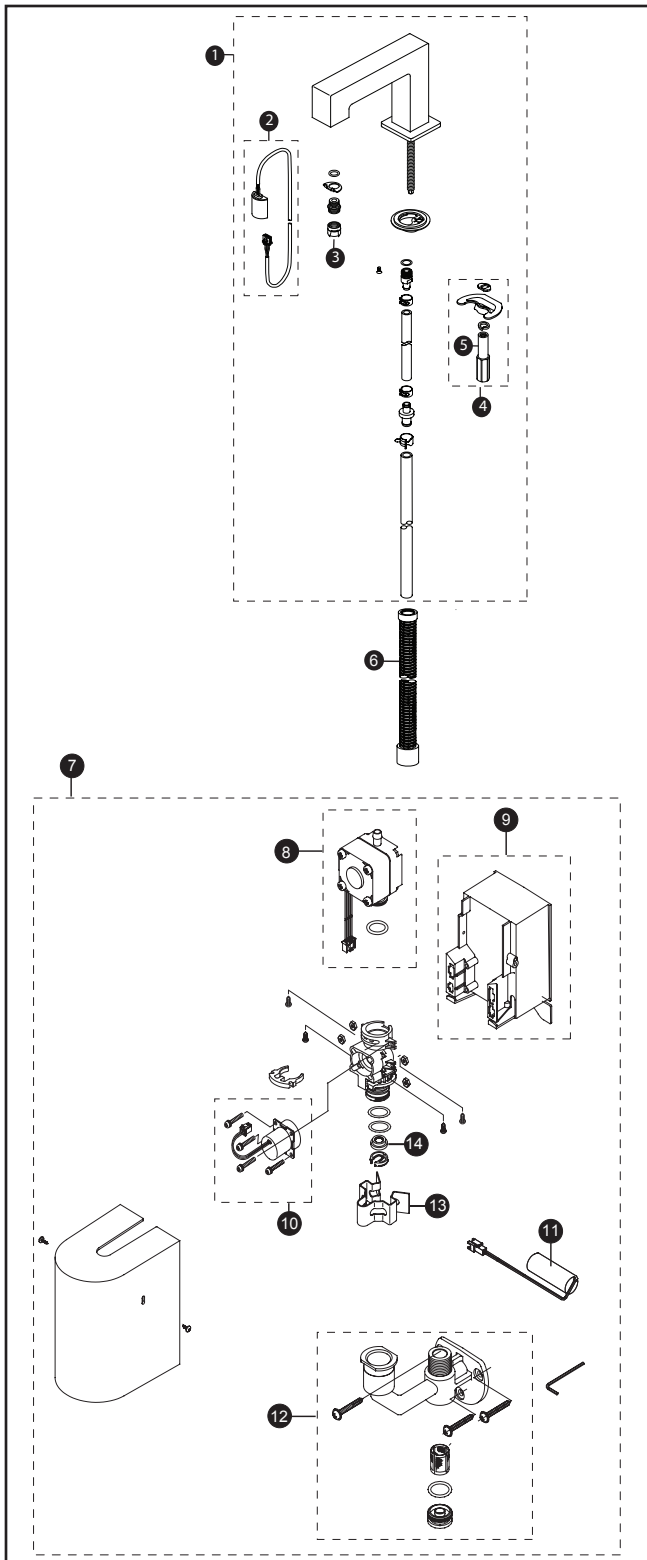


TEL3LK10#CP

TEL3LK10#CP
TEN12AWV300RR (Spout)
TN78-9V710 (Dynamo)

Sensor Faucet, Axiom™ Spout EcoPower® Self-Generating System Single Supply, 0.5 GPM



Item	Part	Description
1	TEN12AWV300RR	Spout Assembly (Without Flexible Tube)
2	TH559EDV436	Sensor
3	THU3045#CP	Nozzle Assembly Set (0.5 GPM Aerator Flow Type)
4	TH559EDV402R	Spout Mounting Kit
5	TH559EDV403R	Spout Nut
6	THU3023	Flexible Tube (Regular Spout)
7	TN78-9V710	Dynamo Assembly
8	TH559EDV562	0.5 GPM Dynamo HydroPower Generator
9	TH559EDV559	Single Dynamo Control Unit 10 Sec.
10	TH559EDV464	Solenoid & Diaphragm Assembly
11	TH559EDV410R	Back-Up Battery
12	T559EDV466R	Mounting Bracket Set
13	TH559EDV255	Metal Clip
14	TH559EDV570	0.5GPM regulator

Product Number Explanations

Sensor Faucet

- (T) Fitting
- (E) Electronic
- (L) Lavatory
- (3) Single Supply
- (L) 0.5 GPM Generator Type
- (K) Axiom Spout
- (10) 10 Second
- (#CP) Chrome Finish