

### FEATURES

- Hydropower self-generating system
- Self adjusting faucet with control box and mounting hardware, less supply lines
- 1/2" water supply male threaded
- NSF compliant
- Single-hole mount

### MODELS

- TEL3LK10#CP - Single Supply  
Discharge: On-demand; Up to 10 seconds while activated.
- TEL5LK10#CP - Thermal Mixing  
Discharge: On-demand; Up to 10 seconds while activated.  
Controller/Mixer #: TN78-10V710

### COLORS/FINISHES

- #CP Polished Chrome

### CODES/STANDARDS

- Exceeds mandatory baseline, 0.20 gallon/cycle, of California Green Building Code, CALGreen
- Meets or exceeds ASME A112.18.1/CSA B125.1, NSF 61-9, and ASSE 1070\*
- Certifications: IAPMO(cUPC), ASSE, State of Massachusetts, and others
- Code Compliance: UPC, IPC, NSPC, NPC Canada, and others
- Legislative compliance: California AB 1953, Vermont S.152 & Maryland HB. 372, and City of Los Angeles Water Efficiency Ordinance
- ADA compliant



### PRODUCT SPECIFICATION

TOTO Model # \_\_\_\_\_ Automatic infrared sensor activated faucet. Anti-scald, thermal mixing chamber (thermal faucets only). Automatic sensor adjustment on installation. Maximum discharge 0.09 gallons per 10 second cycle. Electrical components separated from spout assembly and sealed in waterproof compartments. All TEL5 series use an ASSE 1070 listed controller module with mixing valve. Both faucets use 0.09 gallon/cycle which is 55% below CALGreen's baseline.

\*Note: ASSE 1070 supersedes ASSE1016 for non-shower point of use devices. Applies to TEL5 series models.

# TEL3LK & TEL5LK Series

## Axiom® EcoPower® Faucet

### SPECIFICATIONS

- **Warranty** Three year warranty
- **Material** Brass
- **Power Supply** Hydropower self-generating system
- **Hot/Cold-water Supply** Minimum required water pressure: 20PSI  
Maximum water pressure: 125PSI\*
- **Water Supply Connect** 1/2" NPSM
- **Water Consumption** 0.09 gal. per cycle (max)  
0.5 gpm (1.9 lpm)
- **Water Saving Function** Automatically turns OFF when user removes hands  
Maximum continuous run time is 10 seconds
- **Detection time** ON feature: Immediate  
OFF feature: 1 second delay
- **Detection range** Factory set at 2-1/4"  
Faucet automatically sets the detection range according to the size of the basin
- **Discharge water temperature control range** Thermal Mixing Faucet:  
Cold water - 104°F (Max)  
(When used under standard conditions)
- **Anti-scald safety feature** Provides the user protection against exposure to excessive water temperature (Thermal mixing faucet, only)

### NOTE

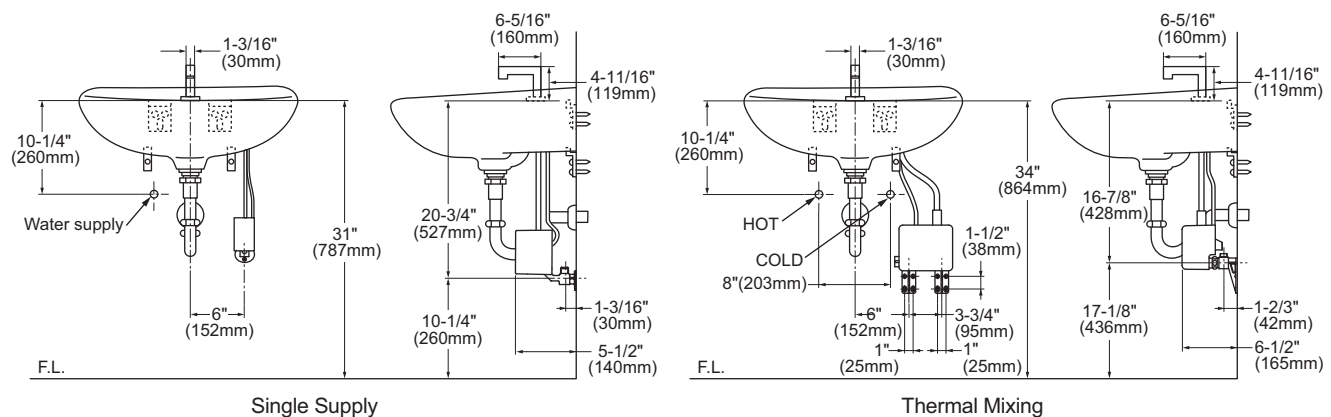
Following the Federal mandate for water efficiency outlined in the Environmental Protection Act of 1992, Faucets can be rated for water consumption based on two categories: flow rate and water consumption.

With the "Water Consumption" standard, a faucet must not use more than 0.25 gallon of water per cycle. The TOTO® faucet with a 10 second cycle uses 0.09 gallon of water, or 0.5 gallon per minute. This is a 64% below the base line of 0.25 gallon per cycle.

Furthermore, an innovative design feature incorporated into all TOTO electronic faucets is an "ON-DEMAND" mode. This means that the faucet will only deliver water as needed and will not run the entire duration of its rated cycle - either 10 or 60 seconds. This guarantees additional water savings.

TOTO uses water consumption because it is the most accurate method of measuring water use. This method of measurement can be incorporated into water usage calculations for various efficiency programs. For more information, please consult [www.totousa.com](http://www.totousa.com)

\*Water pressures over 80 psi are not recommended for most plumbing fixtures.



Maximum deck thickness 2" (50mm)

**TOTO®**

*These dimensions and specifications are subject to change without notice*