



26790 Madison Ave.
Murrieta, CA 92562
888-304-0660

www.waterstoneco.com

ITEM NO:

3900

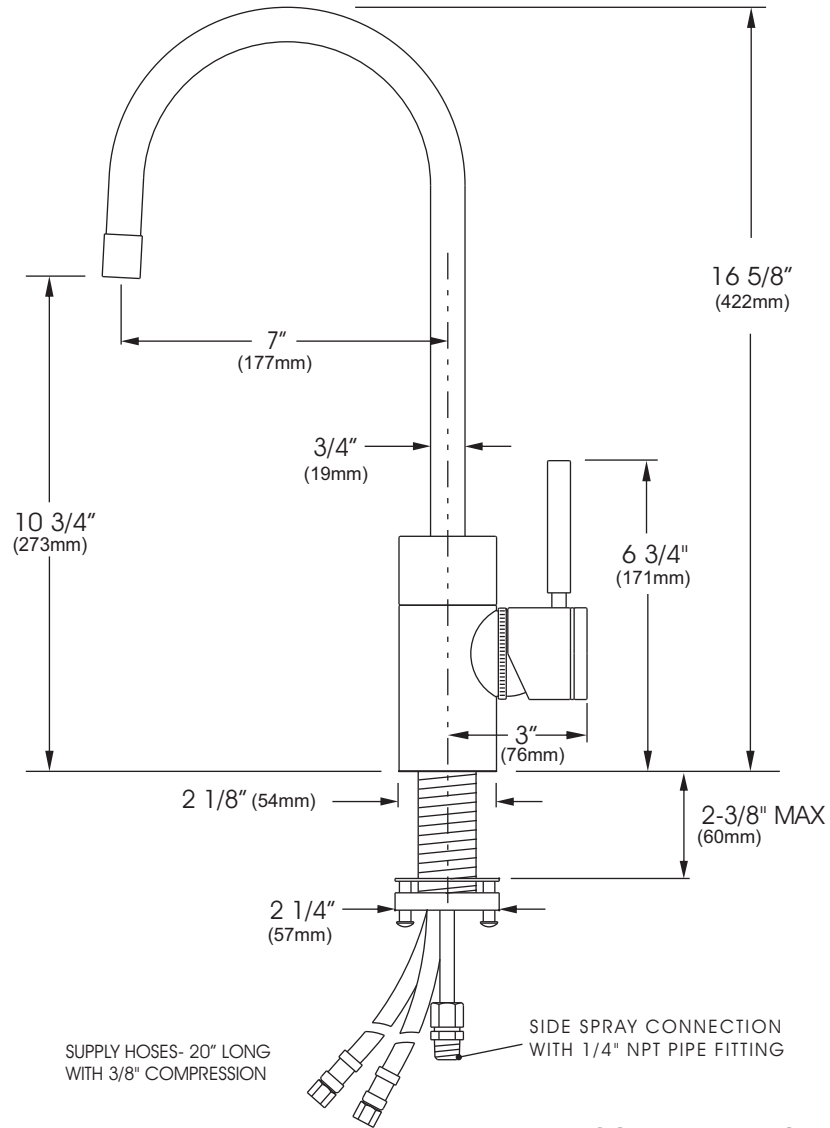
STYLE: **PARCHE**

INTENDED USE: **PREP FAUCET**

CUSTOMER NAME:

JOB NO:

DIMENSIONS MAY VARY AND ARE SUBJECT TO CHANGE. NO RESPONSIBILITY IS ASSUMED FOR USE OF SUPERCEDED OR VOIDED DATA.



SUPPLY HOSES- 20' LONG
WITH 3/8" COMPRESSION

SIDE SPRAY CONNECTION
WITH 1/4" NPT PIPE FITTING

RECOMMENDED HOLE SIZE 1-3/8"

Technical Specifications:

- Solid brass or Stainless Steel construction.
- Ceramic disk valve cartridge.
- Reversible/removable Hot & Cold indicator ring.
- 2.2 gpm maximum flow rate with aerated tip.
- Lever handle.
- Diverter equipped for connection to optional side spray.
- Reinforced braided connection hoses.
- Adjustable Teflon® "Friction Lock" aids handle feel and prevents sag.
- Handle adjusts for clearance from backsplash.
- Spout swivels 360 degrees.

Codes/Standards Applicable

Specified model meets or exceeds the following:

- ASME A112.18.1
- CSA B125.1
- NSF 61

DATE: 1-11-08



Made in the U.S.A.