

CONTEMPORARY SOAP/LOTION DISPENSER - STRAIGHT SPOUT

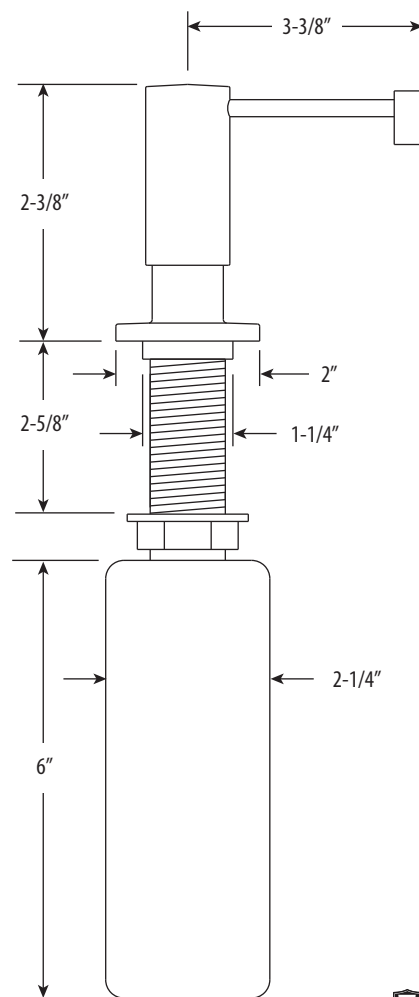
Model # 4065



PRODUCT DESCRIPTION

- Above the deck design.
- Easy operation and eliminates broken fingernails.
- **Straight spout.**
- Internal guides for smooth pump action and solid feel.
- Anti-wick tip helps protect delicate patina finishes.
- Solid brass or stainless construction.
- Removable soap/lotion pump for easy refill.
- 12 oz. capacity (approx).

- Max Counter Thickness 2-5/8"
- Install Hole Size Adaptable Up to 1-3/8"



ECO BRASS
HIGH PERFORMANCE LEAD FREE BRASS

DIMENSIONS MAY VARY AND ARE SUBJECT TO CHANGE. NO RESPONSIBILITY IS ASSUMED FOR USE OF SUPERCEDED OR VOIDED DATA

AVAILABLE IN 32 FINISHES + SOLID STAINLESS STEEL

<i>Almond - 01</i>	<i>Black Nickel - BLN</i>	<i>Distressed Antique Copper - DAC</i>	<i>Polished Gold - PG</i>	<i>Unlaquered Polished Brass - UPB</i>
<i>Antique Brass - AB</i>	<i>Black-Oil Rubbed Bronze - ORB</i>	<i>Distressed American Bronze - DAMB</i>	<i>Polished Nickel - PN</i>	<i>Venetian Bronze - VB</i>
<i>Antique Bronze - ABZ</i>	<i>Biscuit - 07</i>	<i>Distressed Antique Pewter - DAP</i>	<i>Satin Chrome - SC</i>	<i>Weathered Brass - WB</i>
<i>Antique Copper - AC</i>	<i>Caribbean Bronze - CB</i>	<i>Euro-White - EW</i>	<i>Satin Gold - SG</i>	<i>Weathered Copper - WC</i>
<i>American Bronze - AMB</i>	<i>Chocolate Bronze - CHB</i>	<i>Matte Black - MB</i>	<i>Satin Nickel - SN</i>	<i>White - WT</i>
<i>Antique Pewter - AP</i>	<i>Chrome - CH</i>	<i>Polished Brass - PB</i>	<i>Stainless Steel - SS*</i>	
<i>Black - 06</i>	<i>Distressed Antique Brass - DAB</i>	<i>Polished Copper - PC</i>	<i>Tuscan Brass - TB</i>	

***Contemporary Styles Only**