



SINGLE PORT AIR GAP INSTALLATION

Contemporary Model # 3020

Traditional Model # 4020

BEFORE YOU BEGIN YOUR INSTALLATION:



Turn off water supply.

REQUIRED TOOLS:



1. Adjustable Wrench



2. Phillips Screwdriver

PARTS INCLUDED:

*Optional Button Caps -
Logo and Finish
(TRADITIONAL MODELS ONLY)*

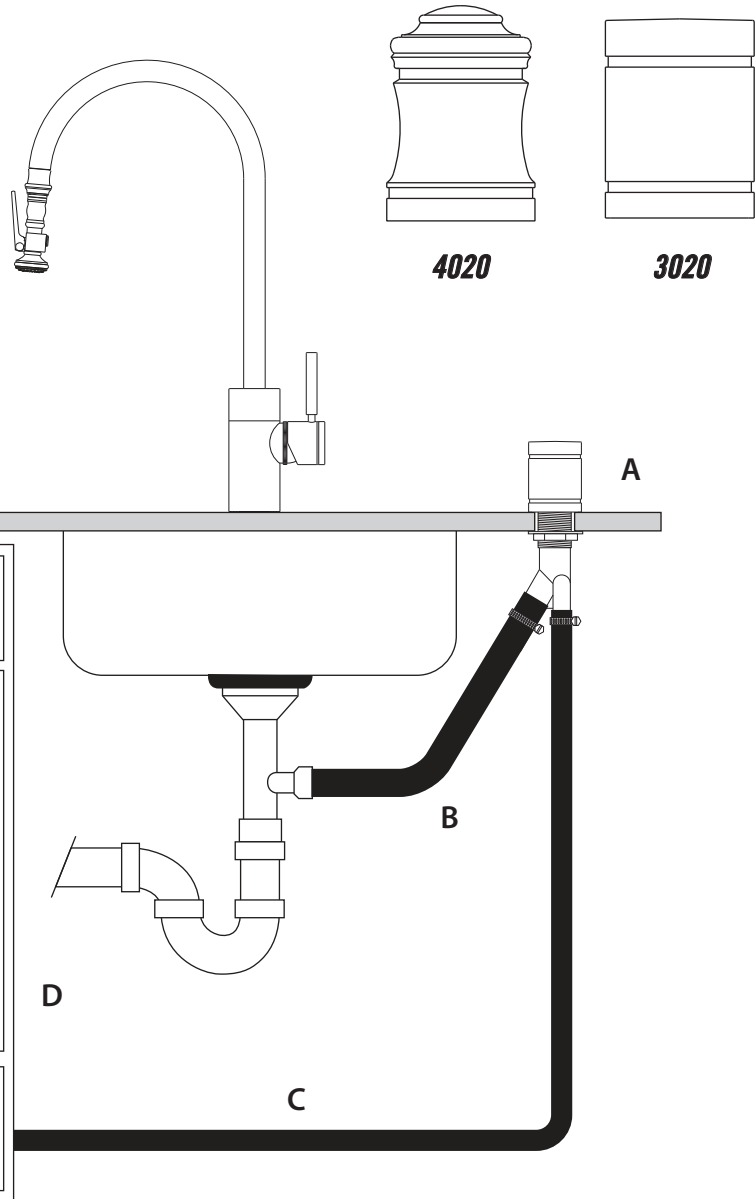
A. Dual Port Air Gap

B. Drainage Hose*

C. Intake Hose*

D. Dishwasher

**Not Included*



41180 Raintree Court • Murrieta, CA 92562

1-888-304-0660 • 951-304-0520

www.waterstoneco.com

★ **MADE IN AMERICA** ★

VEN-038-SPAG Rev. A

SINGLE PORT AIR GAP INSTALLATION

Contemporary Model # 3020

Traditional Model # 4020

